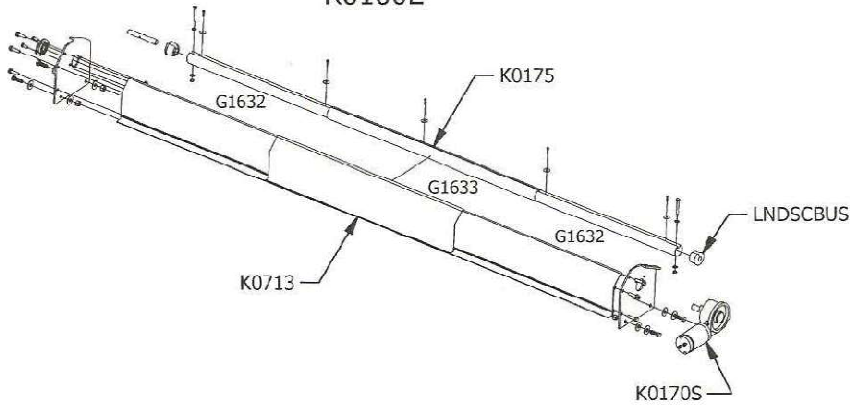
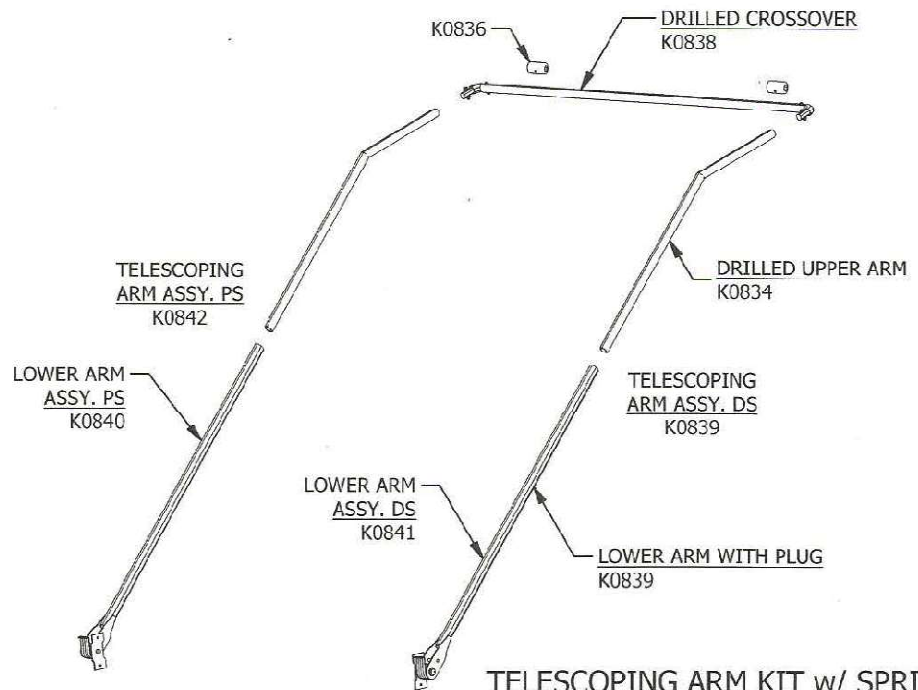


FLIP TARP TELESCOPING ASSEMBLY FOR DUMP BODIES

TELESCOPING ROLLER BOX ELECTRIC ASSEMBLY K0100E



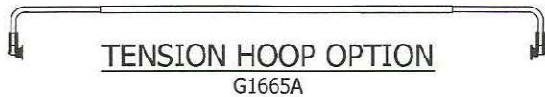
TELESCOPING CROSSOVER K0844



BEND

- 1'
- 2'
- 3'

TELESCOPING ARM KIT w/ SPRINGS K0845C

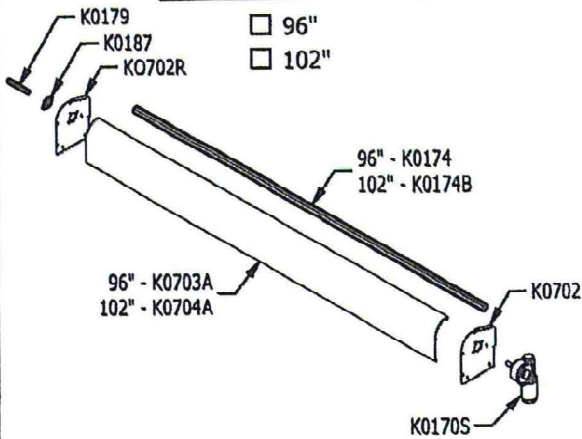


OPTIONS	
TENSION HOOP	WIRELESS REMOTE
<input type="checkbox"/> G1665A	<input type="checkbox"/> MPW1000

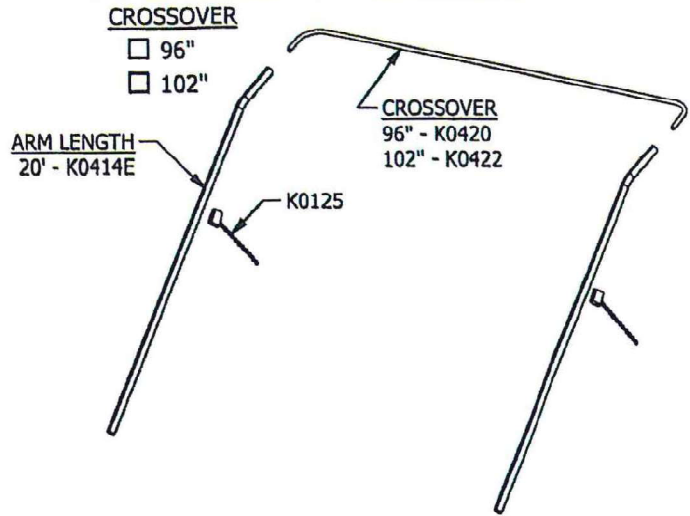
PART #	KIT DESCRIPTION	PRICE	PART #	KIT DESCRIPTION	PRICE

FLIP TARP ASSEMBLY FOR TOP MOUNT END DUMPS OVER 29' MANUAL & ELECTRIC

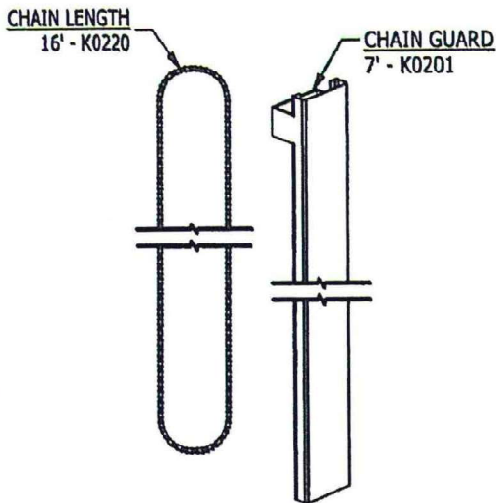
FACE SHIELD & END PLATES ELECTRIC ASSEMBLY



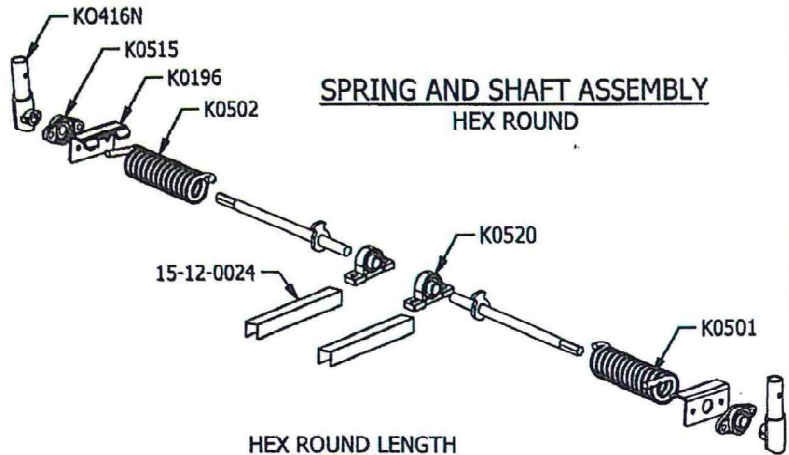
ARM AND CROSSOVER ASSEMBLY



CHAIN AND GEARBOX ASSEMBLY



SPRING AND SHAFT ASSEMBLY HEX ROUND



HEX ROUND LENGTH

- 19" - K0522HE
- 24" - K0524HE
- 27" - K0525HE FRAMELESS OPTION
- 31" - K0631HE FRAMELESS OPTION

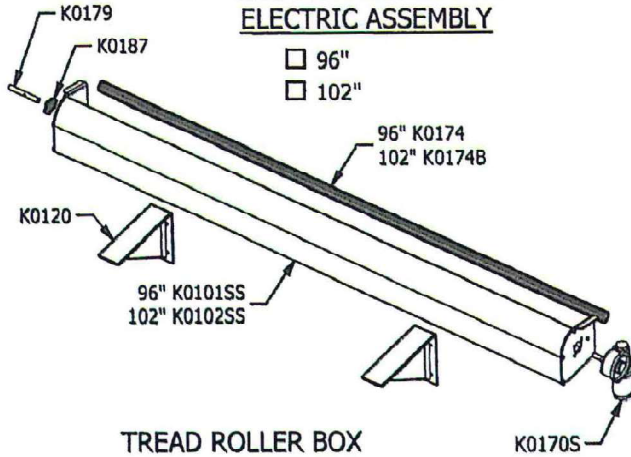
OPTIONS

WIRELESS REMOTE	CUSTOM BEND
<input type="checkbox"/> MPW1000	

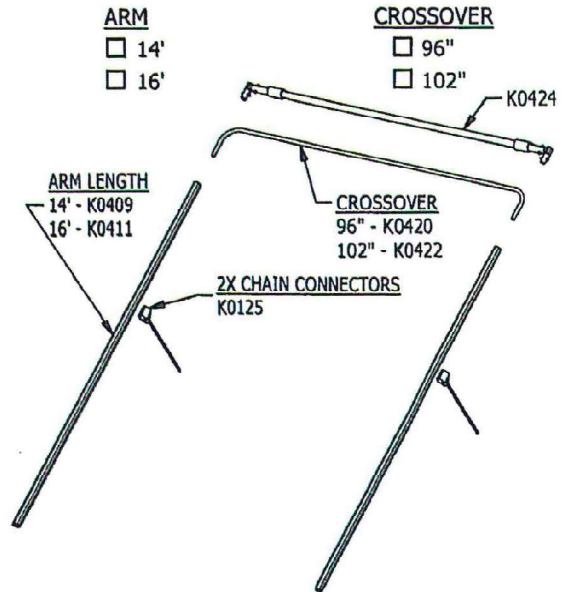
PART #	KIT DESCRIPTION	PRICE	PART #	KIT DESCRIPTION	PRICE
K620TMM	TOP MOUNT END DUMP MANUAL 96"		K020TMM	TOP MOUNT END DUMP MANUAL 102"	
K620TME	TOP MOUNT END DUMP ELECTRIC 96"		K020TME	TOP MOUNT END DUMP ELECTRIC 102"	

FLIP TARP ASSEMBLY FOR FRONT MOUNT TRAILERS UNDER 29' MANUAL & ELECTRIC

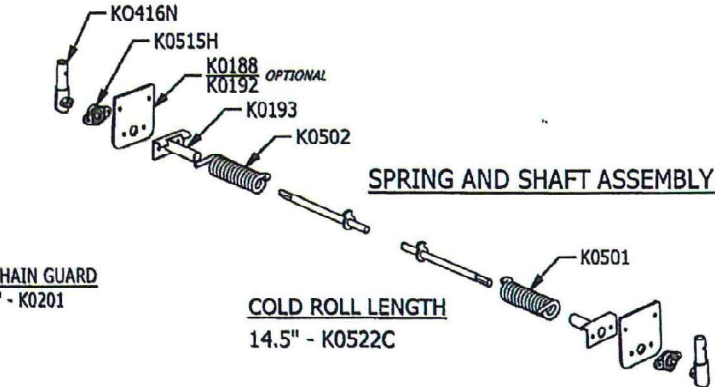
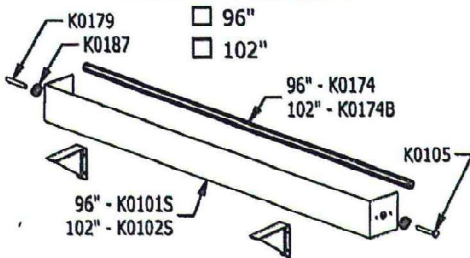
SMOOTH ROLLER BOX ELECTRIC ASSEMBLY



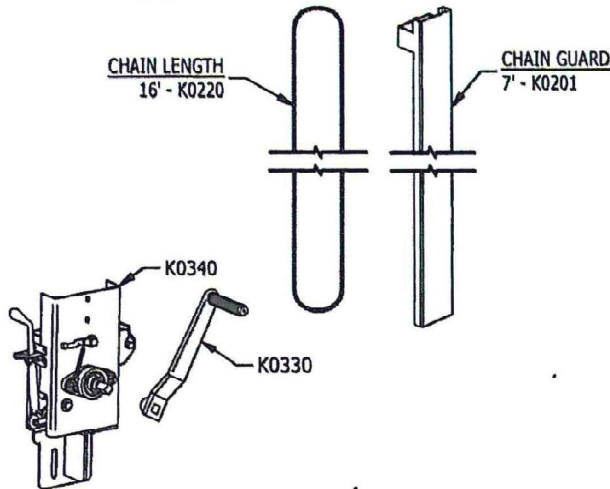
ARM AND CROSSOVER ASSEMBLY



TREAD ROLLER BOX MANUAL ASSEMBLY



CHAIN AND GEARBOX ASSEMBLY

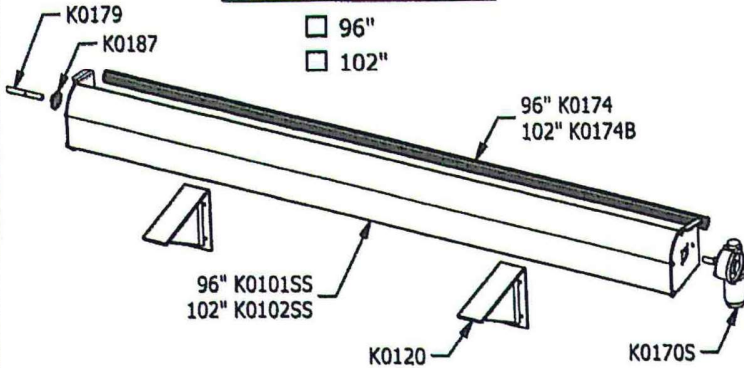


OPTIONS			
DROP PLATES FOR UNDER THE RAIL SPRING ASSEMBLY <input type="checkbox"/> K0188S - ALUMINIUM SET <input type="checkbox"/> K0192S - STEEL SET		FIVE PIECE CROSSOVER <input type="checkbox"/> K0424	
WIRELESS REMOTE <input type="checkbox"/> MPW1000	MANUAL BACKUP <input type="checkbox"/> K0163	LADDER <input type="checkbox"/> K02010	BENT ARMS:

PART #	KIT DESCRIPTION	PRICE	PART #	KIT DESCRIPTION	PRICE
K614TM	21' TO 24' TRAILER MANUAL 96"		K616TM	25' TO 28' TRAILER MANUAL 96"	
K614TE	21' TO 24' TRAILER ELECTRIC 96"		K616TE	25' TO 28' TRAILER ELECTRIC 96"	
K014TM	21' TO 24' TRAILER MANUAL 102"		K016TM	25' TO 28' TRAILER MANUAL 102"	
K014TE	21' TO 24' TRAILER ELECTRIC 102"		K016TE	25' TO 28' TRAILER ELECTRIC 102"	

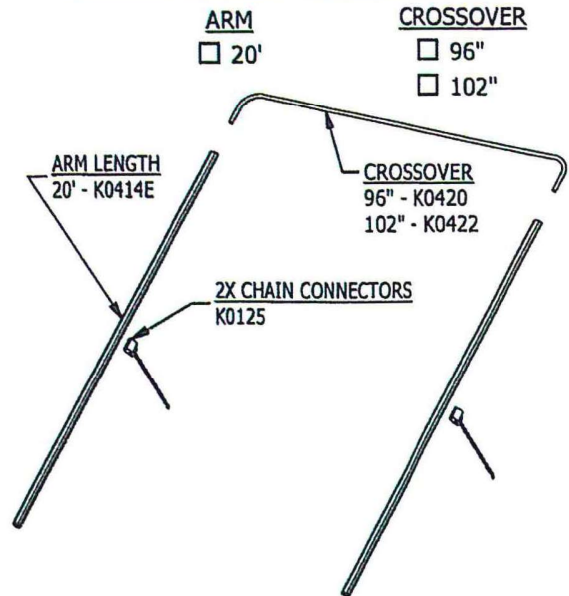
FLIP TARP ASSEMBLY FOR FRONT MOUNT TRAILERS 29' AND OVER MANUAL AND ELECTRIC

SMOOTH ROLLER BOX ELECTRIC ASSEMBLY



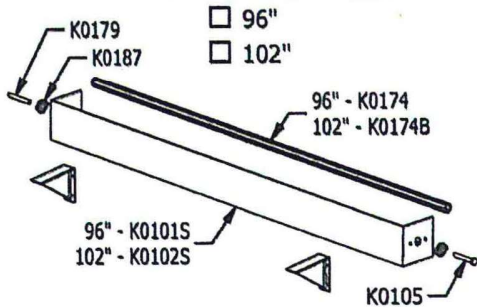
- 96"
- 102"

ARM AND CROSSOVER ASSEMBLY

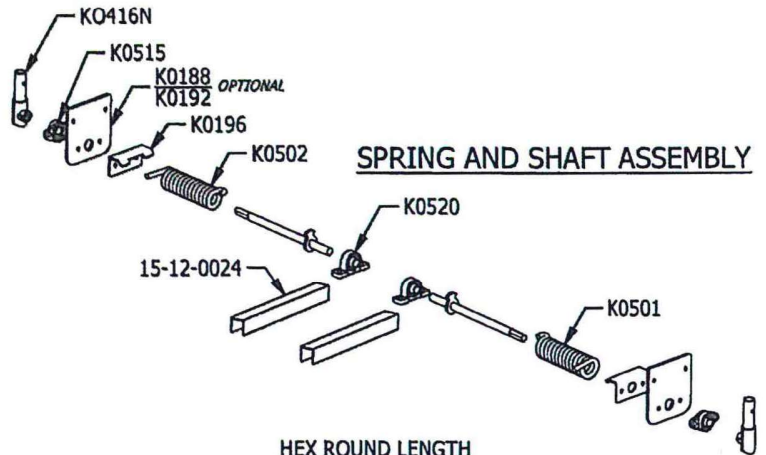


- | | |
|------------------------------|-------------------------------|
| ARM | CROSSOVER |
| <input type="checkbox"/> 20' | <input type="checkbox"/> 96" |
| | <input type="checkbox"/> 102" |

TREAD ROLLER BOX MANUAL ASSEMBLY

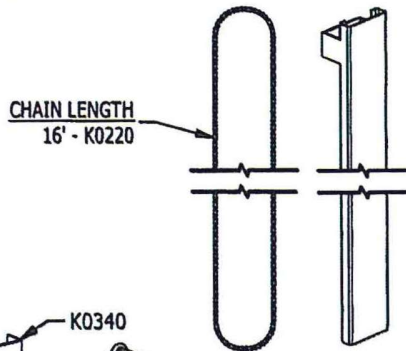


- 96"
- 102"



SPRING AND SHAFT ASSEMBLY

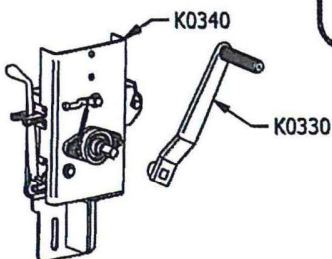
CHAIN AND GEARBOX ASSEMBLY



CHAIN LENGTH
16' - K0220

HEX ROUND LENGTH

- 19" - K0522HE
- 24" - K0524HE
- 27" - K0525HE FRAMELESS OPTION
- 31" - K0631HE FRAMELESS OPTION



OPTIONS

DROP PLATES FOR UNDER THE RAIL SPRING ASSEMBLY <input type="checkbox"/> K0188S - ALUMINIUM SET <input type="checkbox"/> K0192S - STEEL SET		FIVE PIECE CROSSOVER <input type="checkbox"/> K0424	MANUAL BACKUP <input type="checkbox"/> K0163
WIRELESS REMOTE <input type="checkbox"/> MPW1000	LADDER <input type="checkbox"/> K02010	INSTALLED LADDER <input type="checkbox"/> K0211	BENT ARMS:

PART #	KIT DESCRIPTION	PRICE	PART #	KIT DESCRIPTION	PRICE
K620TM	29' TO 36' TRAILER MANUAL 96"		K020TM	29' TO 36' TRAILER MANUAL 102"	
K620TE	29' TO 36' TRAILER ELECTRIC 96"		K020TE	29' TO 36' TRAILER ELECTRIC 102"	