

POWERLOCK[™]

Parts Lists

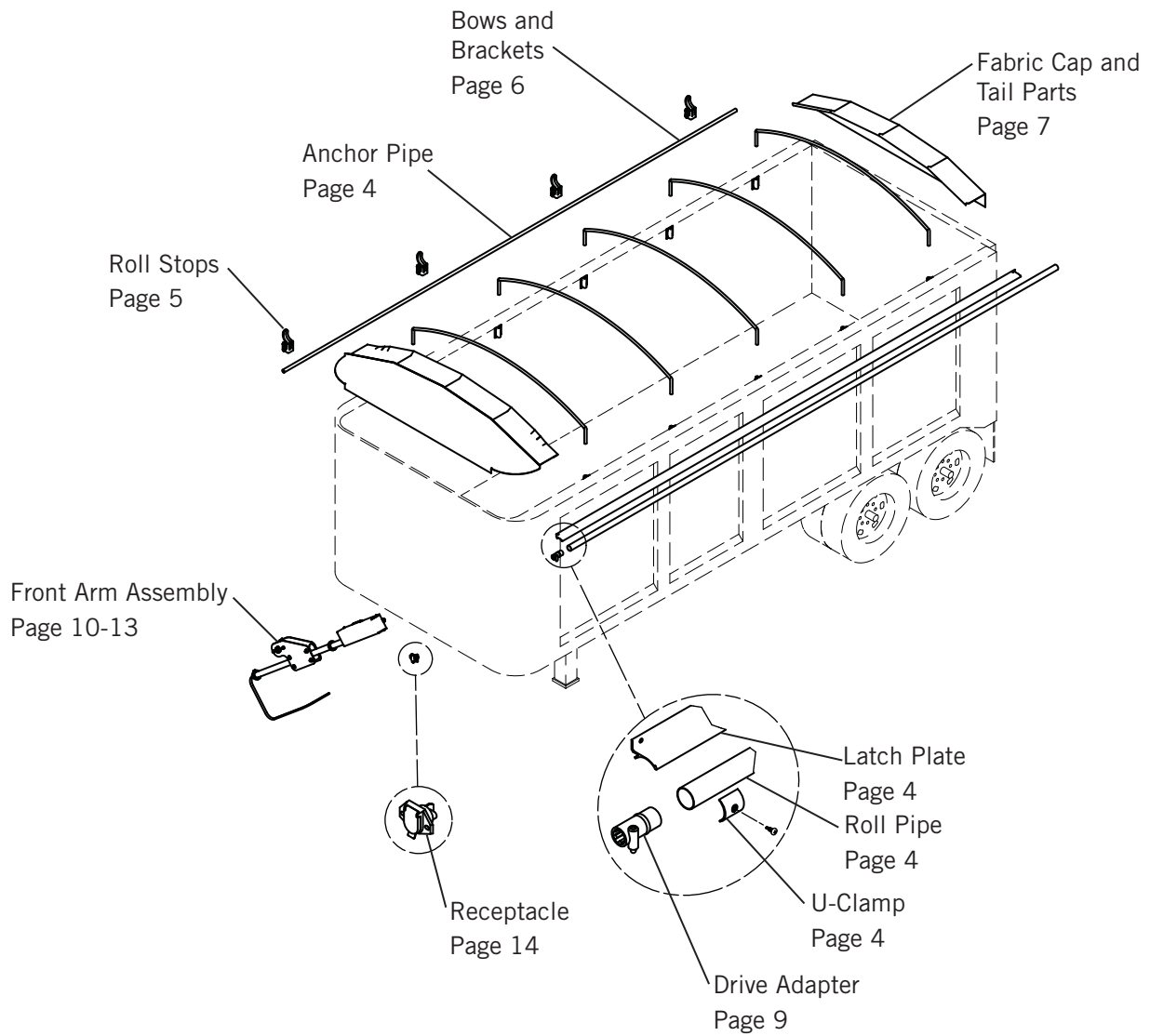
Attention Dealers: Please give this owners manual to the customer when the product is delivered.

Call 800-535-9545 | www.aeroindustries.com

Indianapolis, IN | Omaha, NE | Streetsboro OH

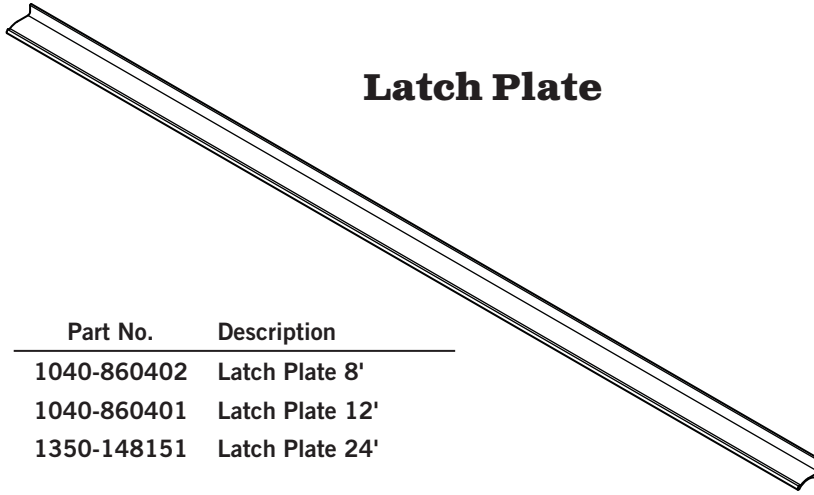
Parts List Directory

Item	Page
Latch Plate, Roll Pipe, and Anchor Pipe	4
Roll Stops	5
Bows and Brackets	6
Fabric Cap and Tail Parts, Trough and Bracket	7
Roll Return, Roll Pipe Deflector, and Side Board Mounting Hardware	8
Auxiliary Components (Drive Adapter, Pivot Box Mount, and Roll Pipe Extension)	9
Front Swing Arm Assembly	10
Front Swing Arm Assembly (Drive Unit)	11
Spring Assembly Power-Lock (Standard Roll)	12
Spring Assembly Power-Lock (Reverse Roll)	13
Tractor Switch Kit and Remote Kit	14
RDCC Kit 12 V 40 Amp Rocker	15

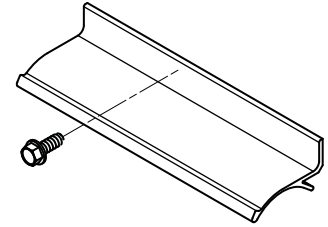


Parts List

Latch Plate



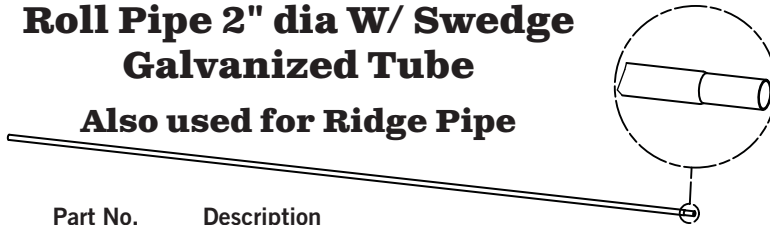
Part No.	Description
1040-860402	Latch Plate 8'
1040-860401	Latch Plate 12'
1350-148151	Latch Plate 24'



0825-650621
3/8 x 1 HWH Type F
 (Screws typically
 24" on center)

Roll Pipe 2" dia W/ Swedge Galvanized Tube

Also used for Ridge Pipe



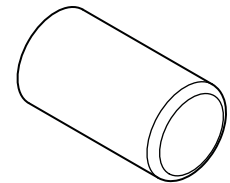
Part No.	Description
1040-860404	Roll Pipe 2" - 8'
1040-860403	Roll Pipe 2" - 12'
1040-960197	Roll Pipe 2" - 24'

Anchor Pipe 1.125" dia W/ Swedge Galvanized Tube



Part No.	Description
1040-860406	Fixed Tarp Tube 1.125" - 8'
1040-860405	Fixed Tarp Tube 1.125" - 12'
1040-860165	Fixed Tarp Tube 1.125" - 24'

Rubber cap for pipes



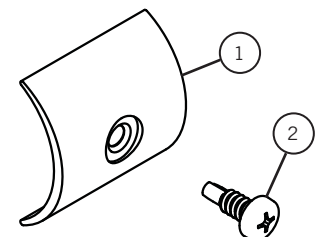
0765-617830
Rubber Cup-Anchor Pipe

Roll Pipe 1.51" dia W/ Swedge Galvanized Tube



Part No.	Description
1018-860205	RIDGE-PIPE-SPLIT-12'
1018-860204	RIDGE-PIPE-SPLIT-16'
1018-860203	RIDGE-PIPE-SPLIT-20'

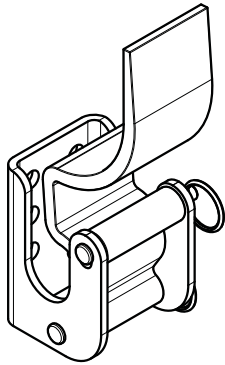
0825-650540
 14 x 1 PPH, Self Drilling



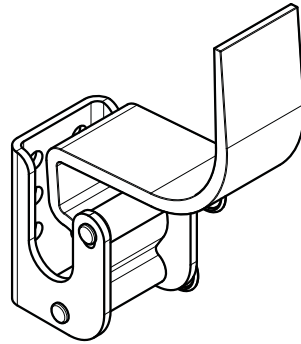
U-Clamp and Screw
 on every strap (30")

No.	Part No.	Description
1	1040-860129	U-Clamp
2	0825-650540	14 x 1 PPH, Self Drilling

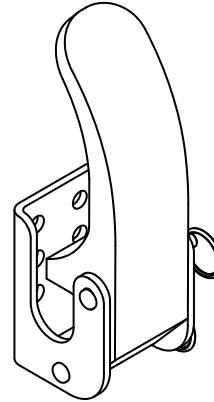
Roll Stops



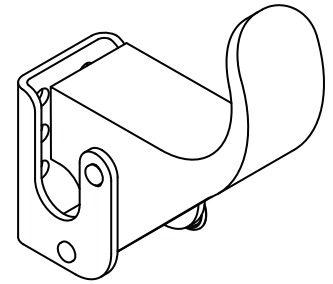
1040-960217
Easy Off 3" Roll Stop
Assembly Extruded



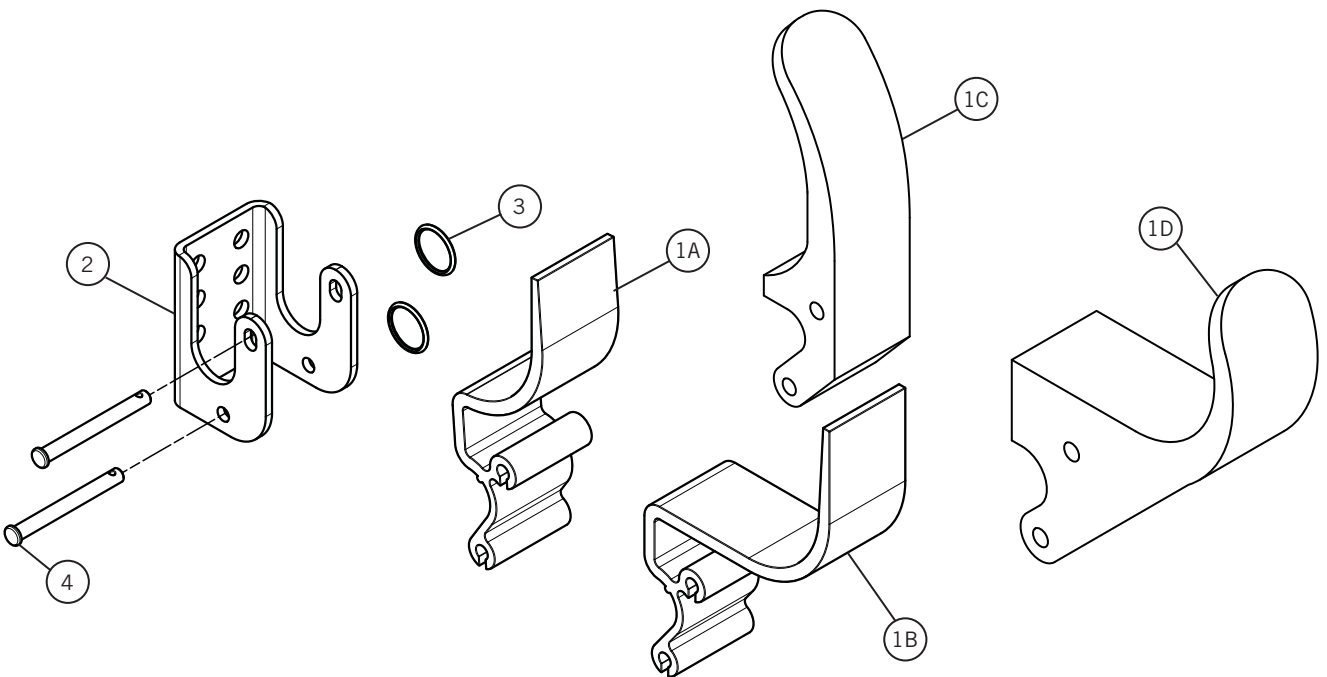
1040-960218
Easy Off 6" Roll Stop
Assembly Extruded



1040-960219
Easy Off Roll Stop 3"
Assembly Urethane



1040-960220
Easy Off Roll Stop 6"
Assembly Urethane



No.	Part No.	Description
1A	1040-860184	Roll Stop 3" Offset Extruded
1B	1040-860185	Roll Stop 6" Offset Extruded
1C	1040-860189	Easy Off 3" Roll Stop URE
1D	1040-860200	Easy Off 6" Roll Stop URE
2	1040-860121	Easy Off Roll Stop Body
3	0835-618500	Circle Pin .074 x 1 1/8
4	0835-619640	Clevis Pin 5/16 x 3

Parts List

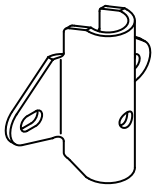
Bows and Bracket



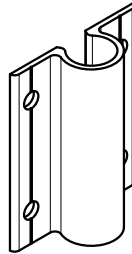
0108-960250
Adjustable Bow Assembly Steel
10"-12" Rise and 83"-93" Center To Center



0108-960251
Adjustable Bow Assembly Steel
12"-16" Rise and 93"-103" Center To Center

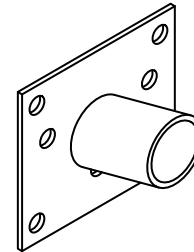


1040-860187
Bow Pocket Steel

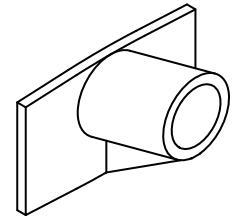


1038-860499
Bow Pocket Aluminum

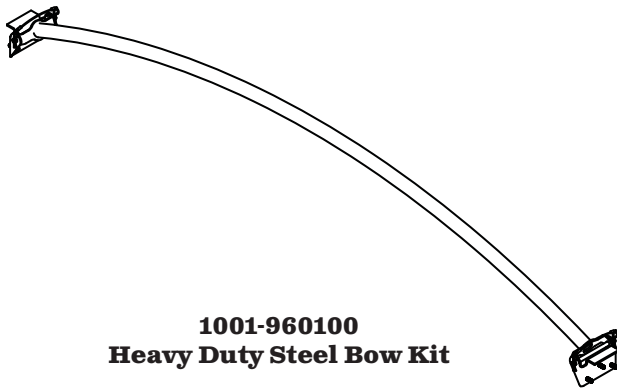
Bow Brackets are mounted with (4)
0825-650621 – 3/8 x 1 Type F



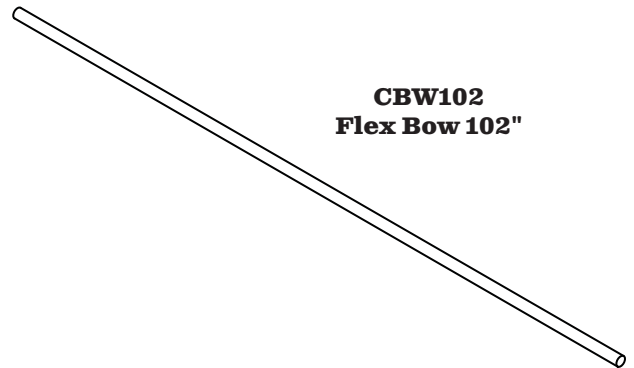
BA2500
Bow Holder Stl
For Flex Bows



BH2A00
Bow Holder Al
For Flex Bows
Can be welded on

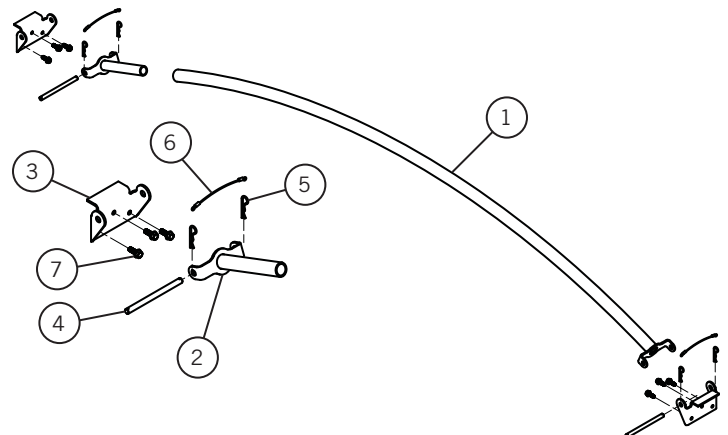


1001-960100
Heavy Duty Steel Bow Kit



CBW102
Flex Bow 102"

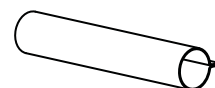
No.	Part No.	Description
1	1001-960101	Heavy Duty Steel Bow Assembly
2	1001-960102	Swivel Bracket Assembly
3	1001-860100	Swivel Bracket Base
4	1001-860103	Headless Pin
5	0835-691723	Locking Cotter Pin
6	0760-603123	Lanyard Nylon .093" x 8"
7	0825-650621	3/8 x 1 HWH Type F



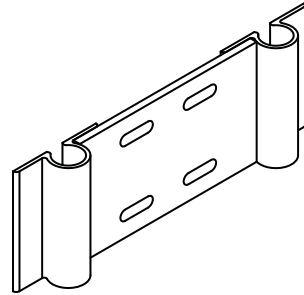
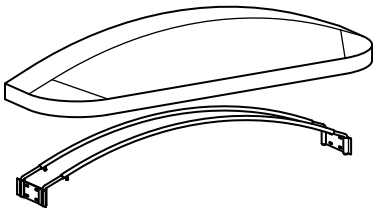
Swing-Away Bow System
Call for replacement parts

Aluminum Bows
Call for replacement

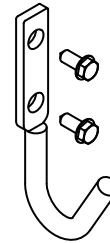
Fabric Bow Sleeve
0530-863501



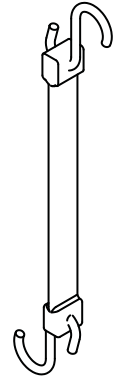
Fabric Cap and Tail Parts



1040-960175
Bow Pocket Fabric Front

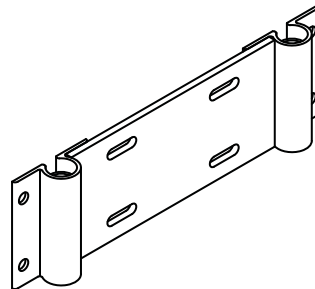


0730-612360
Hook "J" Tarp



1545-619866
Strap Assembly
Tarp 24"

Bracket is mounted with (2)
0825-670360 – 14 x 1 TEK



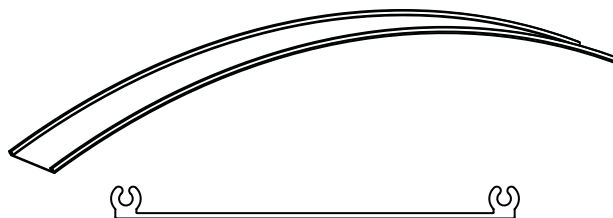
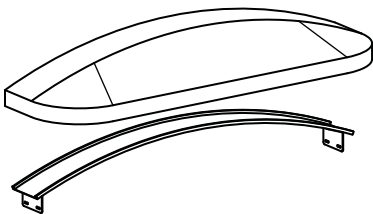
1040-960225
Bow Pocket Fabric Front
W/ Insert

Brackets is mounted with (4)
0825-650621 – 3/8 x 1 Type F

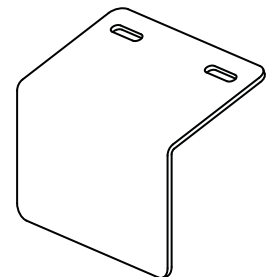


1040-860163
Bow Tie Bar

Trough and Bracket



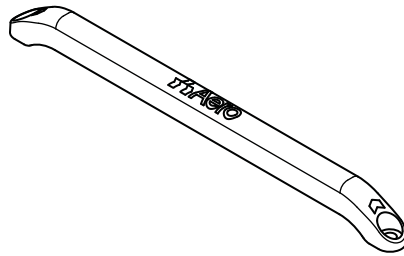
1040-860251
Trough Extrusion Rolled
12" Rise
102" Overall Length



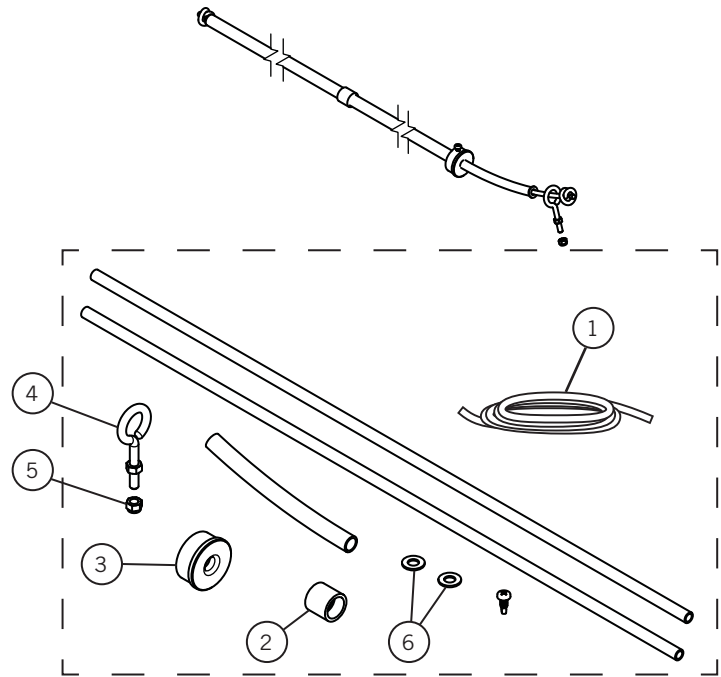
1040-860252
Angle Bracket Trough

Bracket is mounted with (2)
0825-650621 – 3/8 x 1 Type F

Kwik-Lock Roll Return

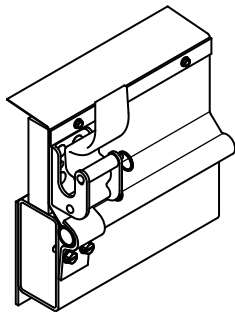


1040-860158
Roll Pipe Deflector



1040-960109
Roll Return Assembly

No.	Part No.	Description
1	1040-860125	Roll Return Cord
2	1040-860126	Roll Return Connector
3	1040-860127	Roll Return End Plug
4	0810-650901	Eye Bolt 5/16-18 x 2
5	0815-660550	5/16-18 Nylon Hex Nut
6	0820-680620	3/8 Flat Washer



Side Board Mounting Hardware

Secure Tarp to Side Board

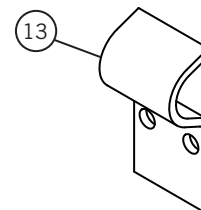
No.	Part No.	Description
1	1315-150165	1/8" x 1" x 12' FLAT ALUMINUM
2	0810-651327	BOLT HEX LAG 1/4 X 1-1/2

Secure Components to Side Board

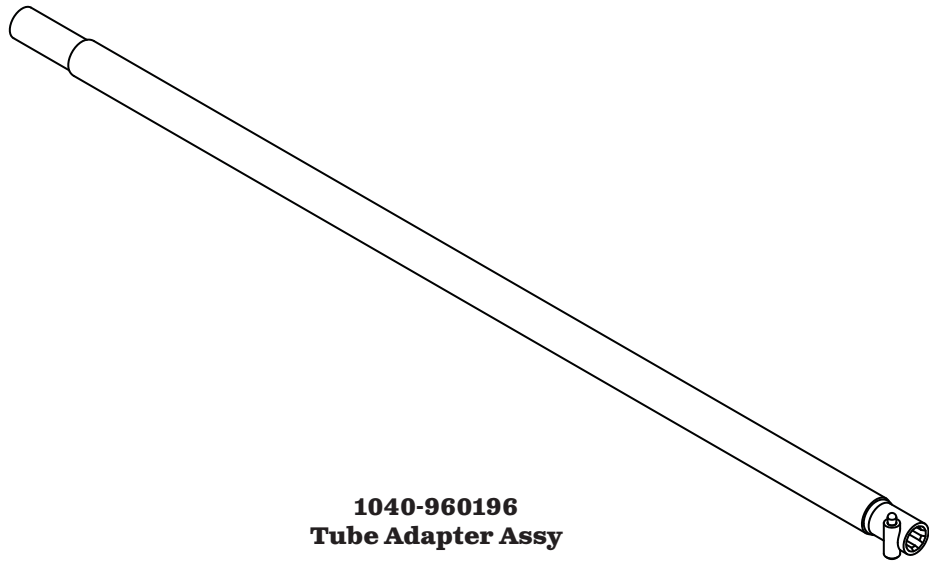
No.	Part No.	Description
3	0810-650525	5/16 X 2-1/2 CARRIAGE BOLT
4	0820-680510	5/16 FLAT WASHER
5	0820-680520	5/16 LOCK WASHER
6	0815-660510	5/16 HEX NUT

Secure Anchor Pipe to Top Rail

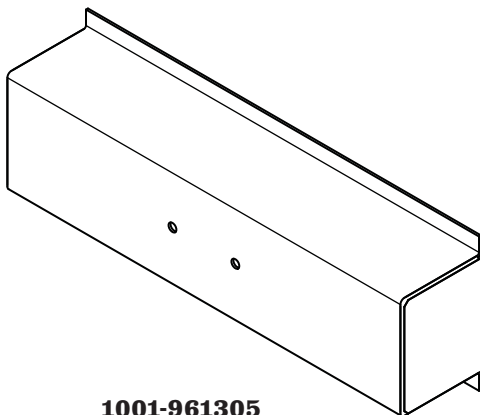
No.	Part No.	Description
13	1001-861323	CLAMP, ANCHOR PIPE
14	0825-650621	3/8 X 1 TYPE F HWH BOLT



Auxiliary Components

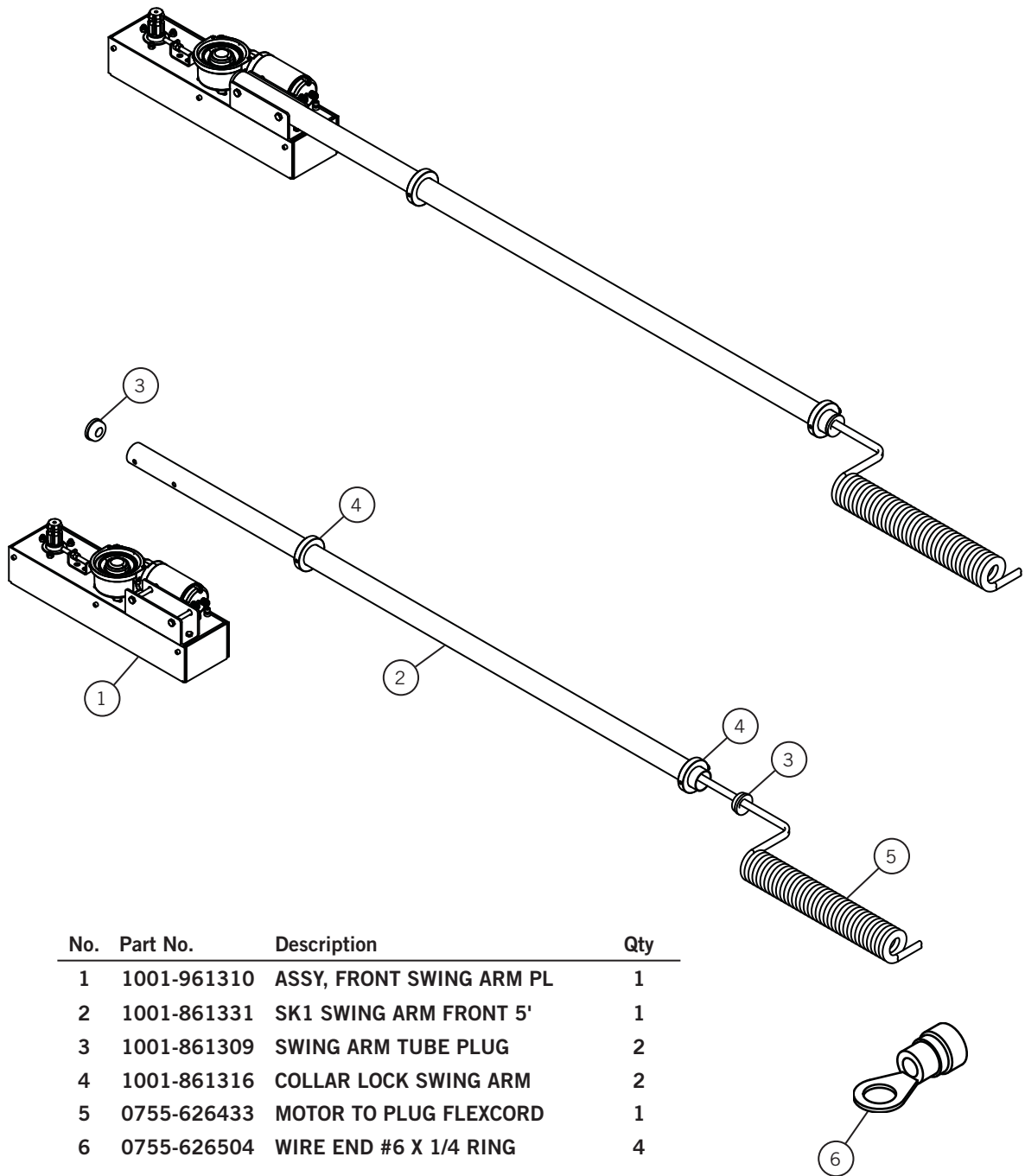


**1040-960196
Tube Adapter Assy**



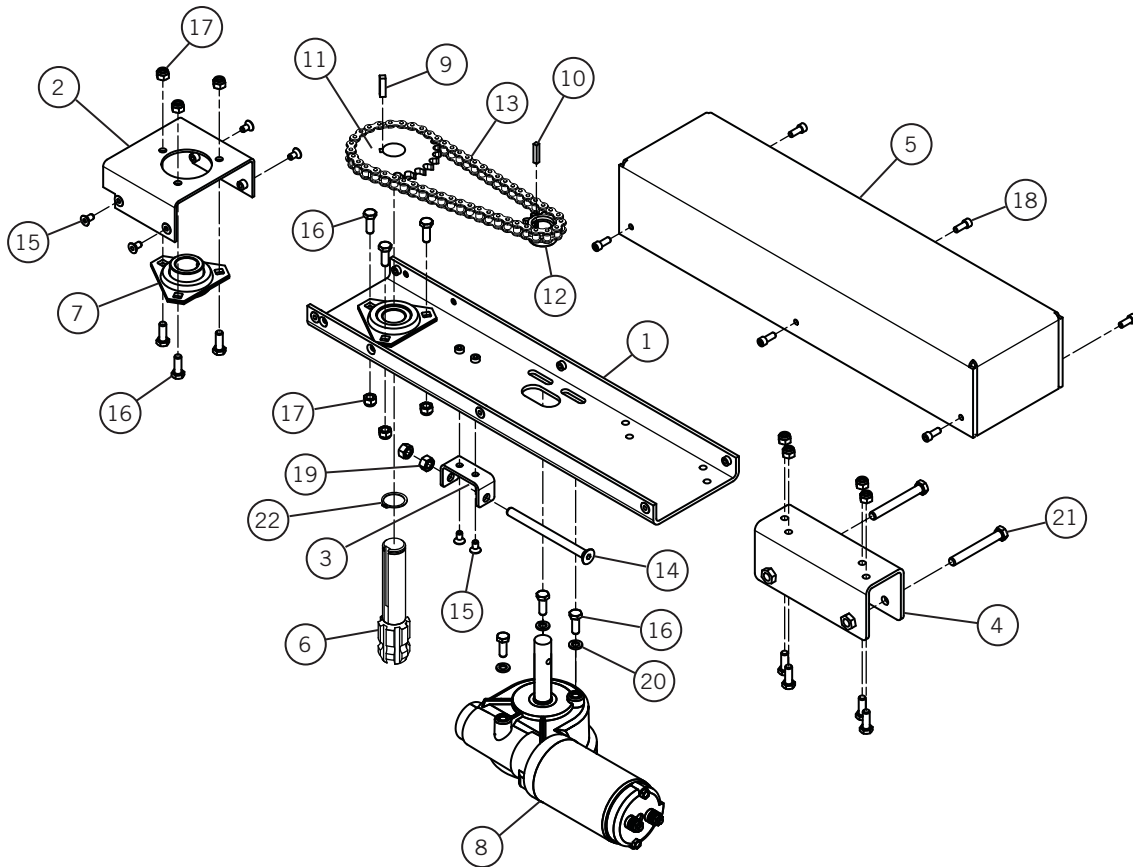
**1001-961305
Pivot Box Mount
Dump Style**

Front Swing Arm Assembly 1001-961900



No.	Part No.	Description	Qty
1	1001-961310	ASSY, FRONT SWING ARM PL	1
2	1001-861331	SK1 SWING ARM FRONT 5'	1
3	1001-861309	SWING ARM TUBE PLUG	2
4	1001-861316	COLLAR LOCK SWING ARM	2
5	0755-626433	MOTOR TO PLUG FLEXCORD	1
6	0755-626504	WIRE END #6 X 1/4 RING	4

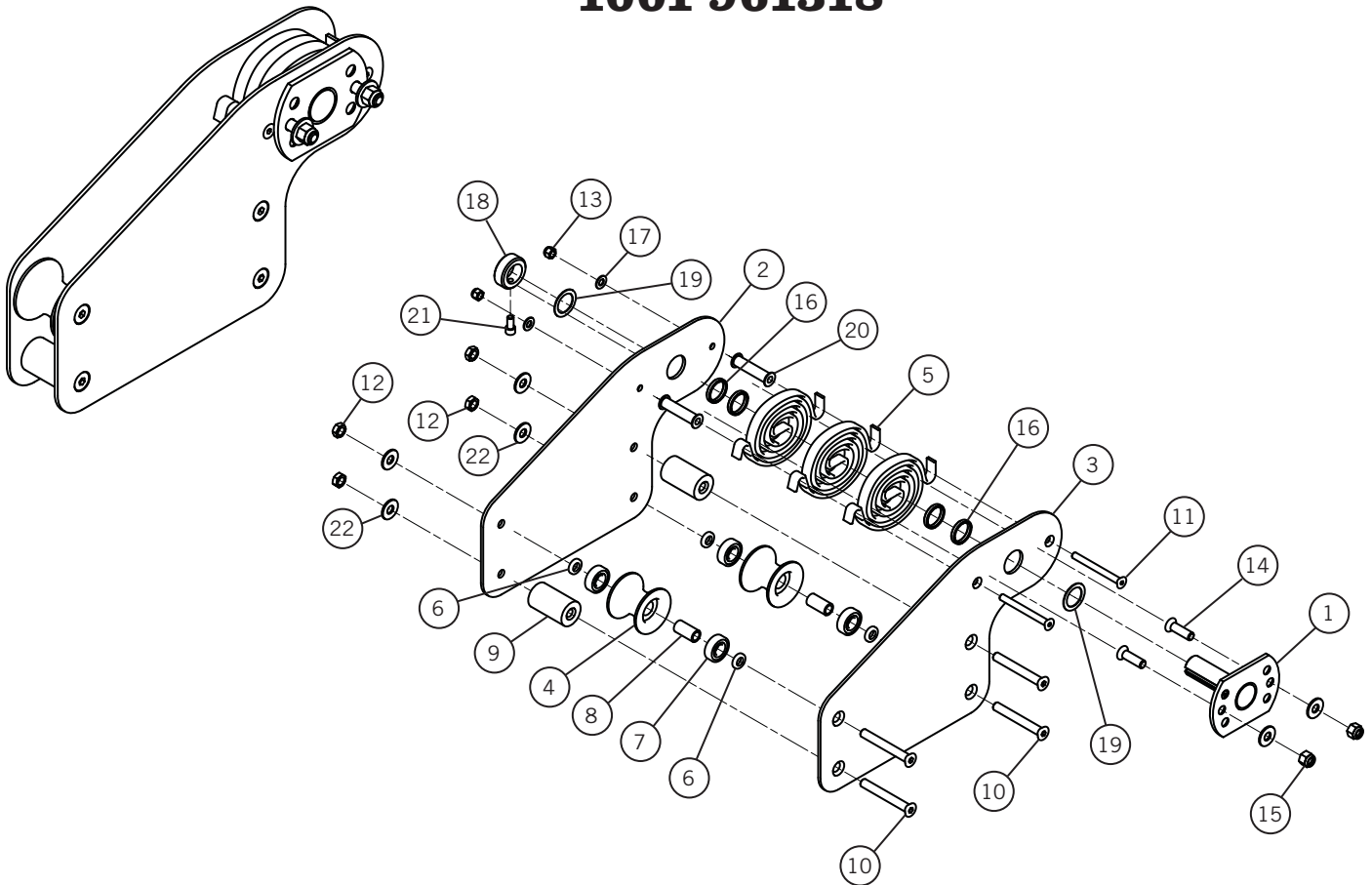
Front Swing Arm Assembly Drive Unit 1001-961310



No.	Part No.	Description	Qty	No.	Part No.	Description	Qty
1	1001-960710	Drive Mount Channel Assy	1	13	1001-861721	CHAIN #40 ROLLER 49 PITCH	1
2	1001-960711	Bearing Mount Assy	1	14	0810-650496	3/8-16X4 CNTRSINK BOLT	1
3	1001-860774	CHAIN TENSION BRACKET SK2	1	15	0810-650497	BOLT 1/4-20 X 1/2"	6
4	1001-861729	SWING ARM MOUNT BRACKET	1	16	0810-650552	BOLT HHCS 5/16-18x7/8"	13
5	1001-861722	DRIVE UNIT COVER	1	17	0815-660550	NUT HEX. 5/16-18	10
6	1001-861902	DRIVE SHAFT SPLINED	1	18	0825-617251	SCREW 1/4-20-5/8 SHCS ZP	6
7	1001-861714	BEARING SET 1" BORE	2	19	0815-660640	NUT HEX. 3/8-16	2
8	0755-623421	MOTOR RA/SWB WITH COVER	1	20	0820-680520	WASHER SLCK 5/16"	3
9	1001-861723	KEY 1/4" X 1"	1	21	0810-670657	BOLT HHCS 3/8-16x3"	2
10	1001-861736	KEY 3/16 X 3/16 X 1.625	1	22	0840-618505	SNAP RING 1" SHAFT	1
11	1001-861719	SPROCKET 40B24 1" BORE	1	23	0825-670709	SET SCREW 1/4 X 20 X 1/4	2
12	1001-861903	SPROCKET 40B14 3/4 BORE	1	24	0825-670710	SET SCREW 1/4" X 28 X 1/4	1

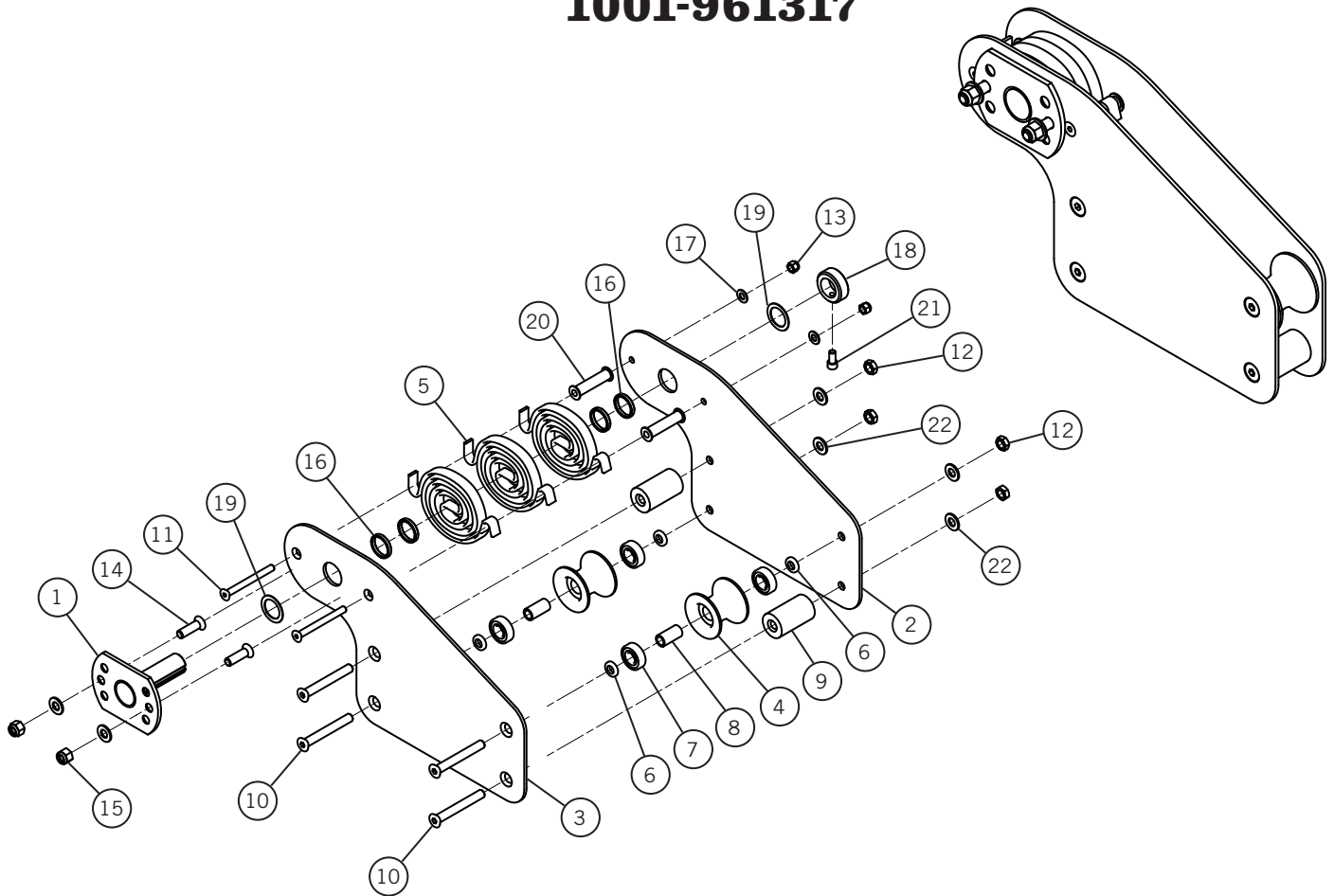
Items 23 & 24 are not shown.

Spring Assembly PowerLock™ (Standard Roll) 1001-961318



No.	Part No.	Description	Qty	No.	Part No.	Description	Qty
1	1001-961301	Mounting Plate Assembly	1	12	0815-660127	1/2-13 NTE Jam Nylock Nut	4
2	1001-861330	Power Lock Plate Base	1	13	0815-660660	3/8-16 Nylock Hex Nut	2
3	1001-861337	Power Lock Plate Front	1	14	0825-660852	1/2-13 x 1.75 FHCS	2
4	1001-861325	Radius Roller	2	15	0815-660855	1/2-13 Nylock Hex Nut	2
5	0715-619550	Spring PowerPack Spiral	3	16	1001-860231	Bushing 1.26 ID x 1.5 OD	4
6	1001-861307	Steel Washer	6	17	0820-680620	3/8 Flat Washer	2
7	0710-602144	Bearing .5 ID x 1.575 OD	4	18	0785-690335	Collar Shaft 1-1/4"	1
8	1001-861304	Spacer Roller	2	19	0820-680411	Washer Flat 1-1/4 x 1-7/8	2
9	1001-861412	Roller Block Delrin	2	20	1001-861306	Steel Spacer	2
10	0825-660855	1/2-13 x 4 FHCS	4	21	0825-617250	3/8-16 x 3/4 SHCS	1
11	0825-670507	3/8-16 x 4 FHCS	2	22	0820-680810	Washer Flat 1/2"	4

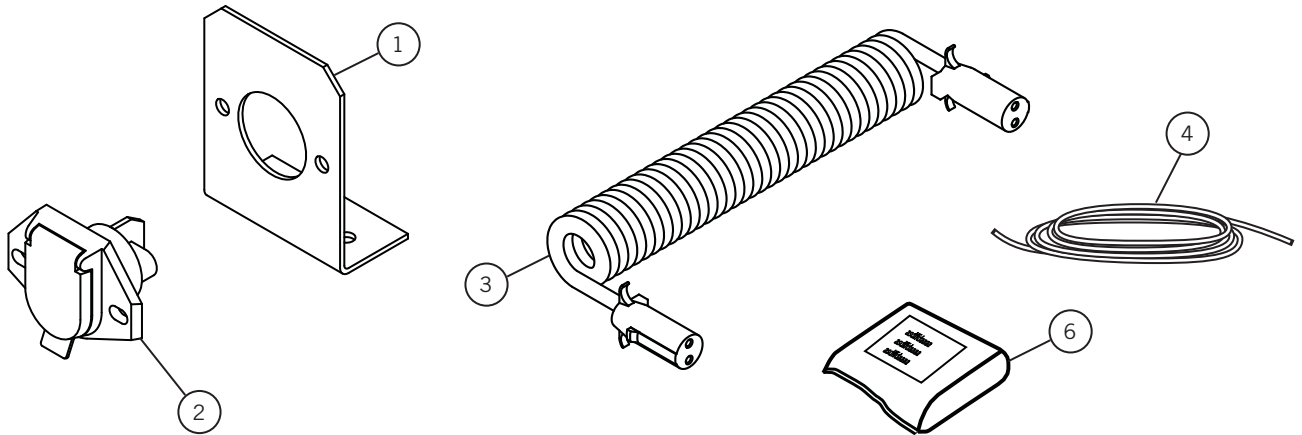
Spring Assembly PowerLock™ (Reverse Roll) Optional 1001-961317



No.	Part No.	Description	Qty	No.	Part No.	Description	Qty
1	1001-961301	Mounting Plate Assembly	1	12	0815-660127	1/2-13 NTE Jam Nylock Nut	4
2	1001-861330	Power Lock Plate Base	1	13	0815-660660	3/8-16 Nylock Hex Nut	2
3	1001-861338	Power Lock Plate Rear	1	14	0825-660852	1/2-13 x 1.75 FHCS	2
4	1001-861325	Radius Roller	2	15	0815-660855	1/2-13 Nylock Hex Nut	2
5	0715-619550	Spring PowerPack Spiral	3	16	1001-860231	Bushing 1.26 ID x 1.5 OD	4
6	1001-861307	Steel Washer	6	17	0820-680620	3/8 Flat Washer	2
7	0710-602144	Bearing .5 ID x 1.575 OD	4	18	0785-690335	Collar Shaft 1-1/4"	1
8	1001-861304	Spacer Roller	2	19	0820-680411	Washer Flat 1-1/4 x 1-7/8	2
9	1001-861412	Roller Block Delrin	2	20	1001-861306	Steel Spacer	2
10	0825-660855	1/2-13 x 4 FHCS	4	21	0825-617250	3/8-16 x 3/4 SHCS	1
11	0825-670507	3/8-16 x 4 FHCS	2	22	0820-680810	Washer Flat 1/2"	4

Tractor Switch Kit

1001-961306 Tractor Switch Kit

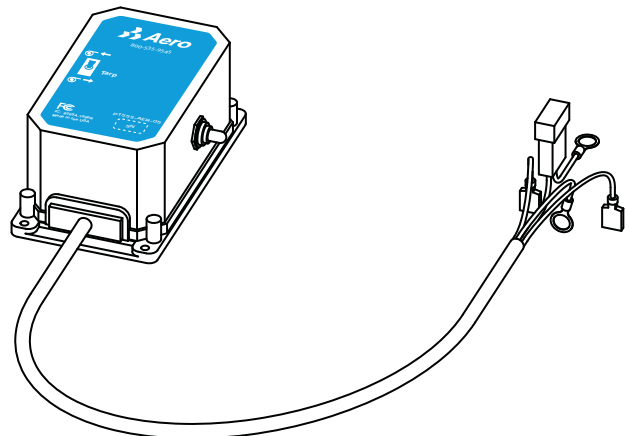
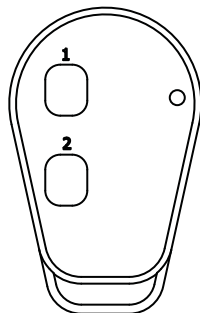


No.	Part No.	Description	Qty
1	1001-862126	Recepticle Bracket Alum	1
2	1041-860143	Socket Electric Sidewinder	2
3	0755-626434	Flex Cord 13' 6 GA.	1
4	0755-626588	Wire #14 Gray	20 FT
5	0755-623475	Rubber Boot Wire (not shown)	1
6	0755-962108	RDCC Kit 40 Amp W/Rocker	1

0755-960900
REMOTE KIT 2 BTN; TOGGLE

0755-860700
REMOTE FOB; 2 BUTTON

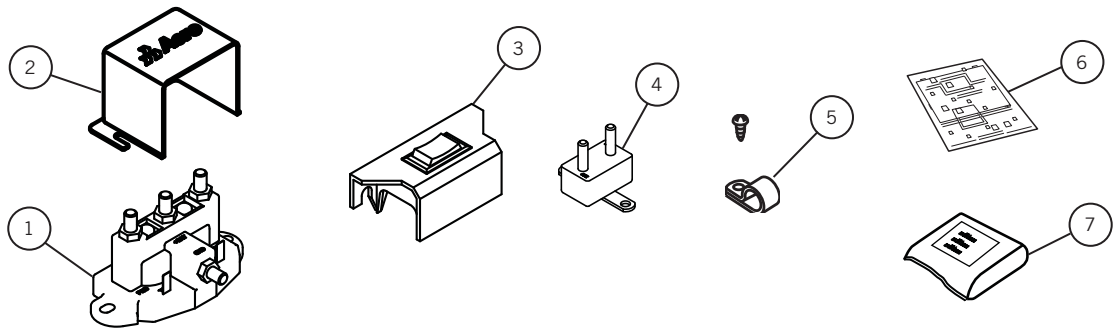
0755-860800
REMOTE RECIEVER; W/TOGGLE



RDCC Kit 12 V 40 Amp Rocker

0755-962108 RDCC Kit 12 V 40 Amp Rocker

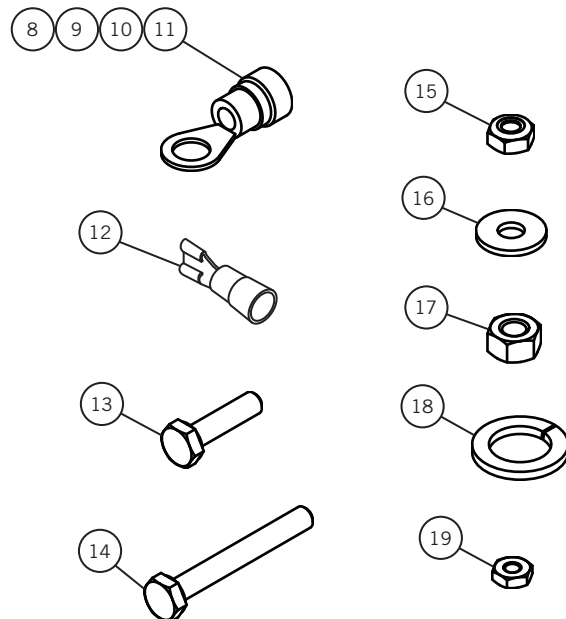
Wire NOT included in Kits



No.	Part No.	Description	Qty
1	0755-623560	Reversing DC Contactor	1
2	0755-623559	DC Contactor Cover	1
3	0755-962102	Switch Rocker for DC Contactor	1
4	0755-623501	Circuit Breaker 40 Amp	1
5	0850-603757	Clamp Metal Loom Plastic	12
6	0930-861632	Wiring diagram RDCC	1
7	0755-962111	RDCC Elec Hwd Kit-Rocker	1

0755-962111 Hardware Kit

No.	Description	Qty
8	Wire End #6 x 3/8 Ring	6
9	Wire End #6 x #10 Ring	4
10	Wire End #6 x 1/4 Ring	2
11	Wire End #14 x 3/8 Ring	1
12	Wire End #14 x 1/4 Push On	6
13	1/4-20 x 1 Hex Bolt	2
14	1/4-20 x 2 Hex Bolt	2
15	1/4-20 Nylon Hex Jam Nut	4
16	1/4 Flat Washer	8
17	5/16-24 Hex Nut	4
18	5/16 Lock Washer	4
19	#10-32 Nylon Hex Nut	4





INDIANAPOLIS, IN
Indianapolis, IN 46241
800-535-9545
FAX: 317-244-1311

OMAHA, NE
Omaha, NE 68137
800-535-9545
FAX: 402-895-6129

STREETSBORO, OH
Streetsboro, OH 44241
800-535-8552
FAX: 330-626-3277

© 2014 Aero Industries, Inc.

US: 3384413, 3785694, 4657062, 6715817, 6857682, 6886879, 7032950

Canada: 2466454, 2514605, 2607746

UK: 2413119