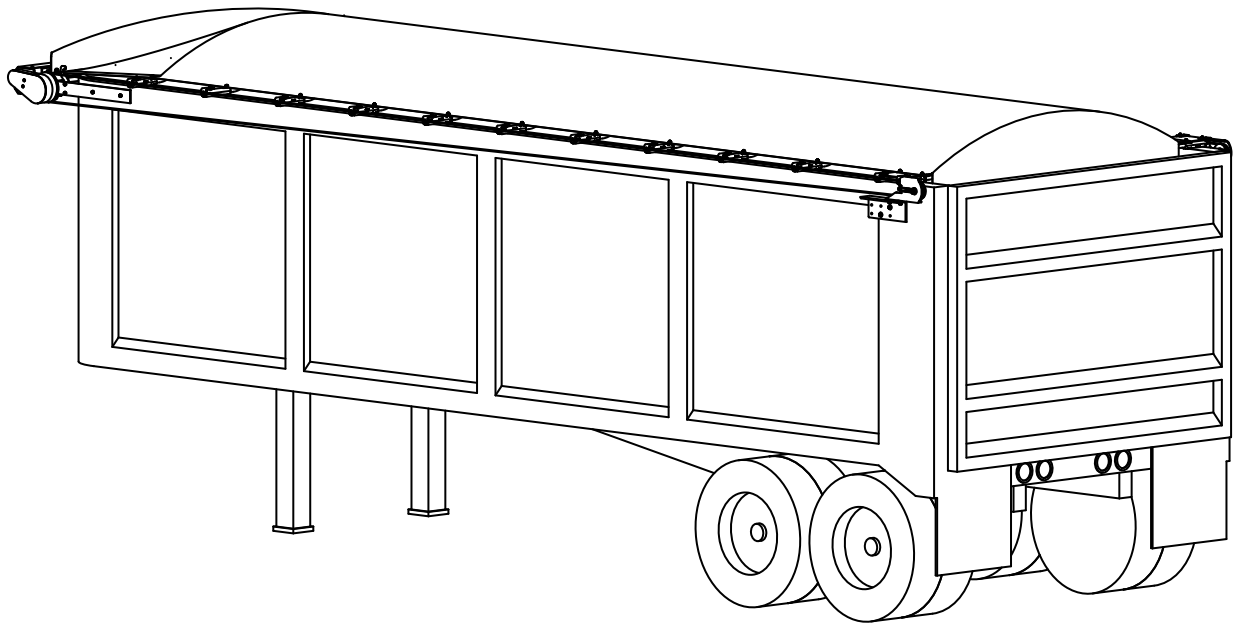




Serving the Truck & Trailer Industry
Since 1944



Top Glide Kit

Parts Lists

Attention Dealers: Please give this owners manual to the customer when the product is delivered.

Call 800-535-9545 | www.aeroindustries.com

Indianapolis, IN | Omaha, NE | Kent OH

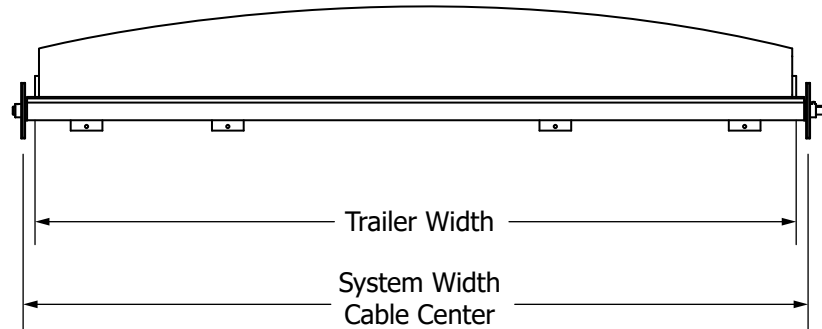
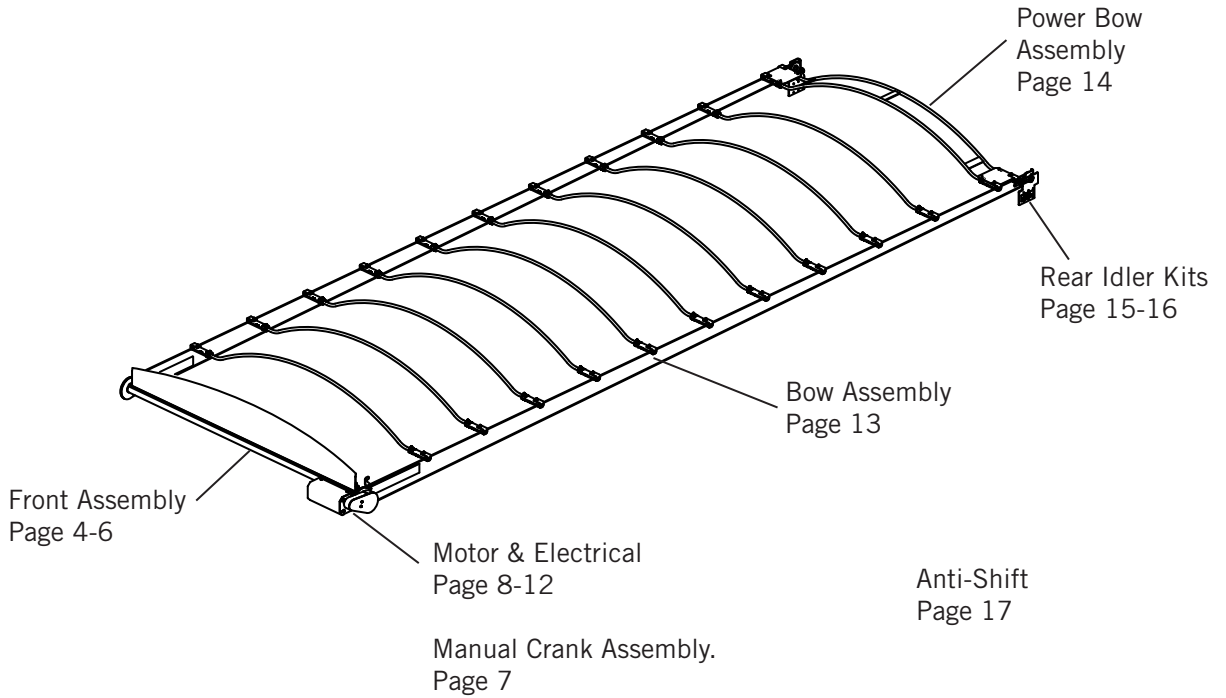
Top Glide Kit

Parts List Directory

Item	Page
Overview of parts	3
Front Assembly Manual and Electric	4
Front Assembly Smart Electric	5
Front Tube Assembly	6
Crank Assembly	7
Motor Kit Standard Electric	8
Motor Kit Smart Electric	9
Motor Housing Assembly	10
Standard Electrical Controls with Rocker Switch	11
Smart Electrical Controls with Rocker Switch	12
Bow Assembly	13
Power Bow Assembly	14
Rear Idler Assembly 4" Aluminum	15
Rear Idler Assembly 4" Steel	16
Anti Shift Assembly and Cables	17

Top Glide Kit

Parts List



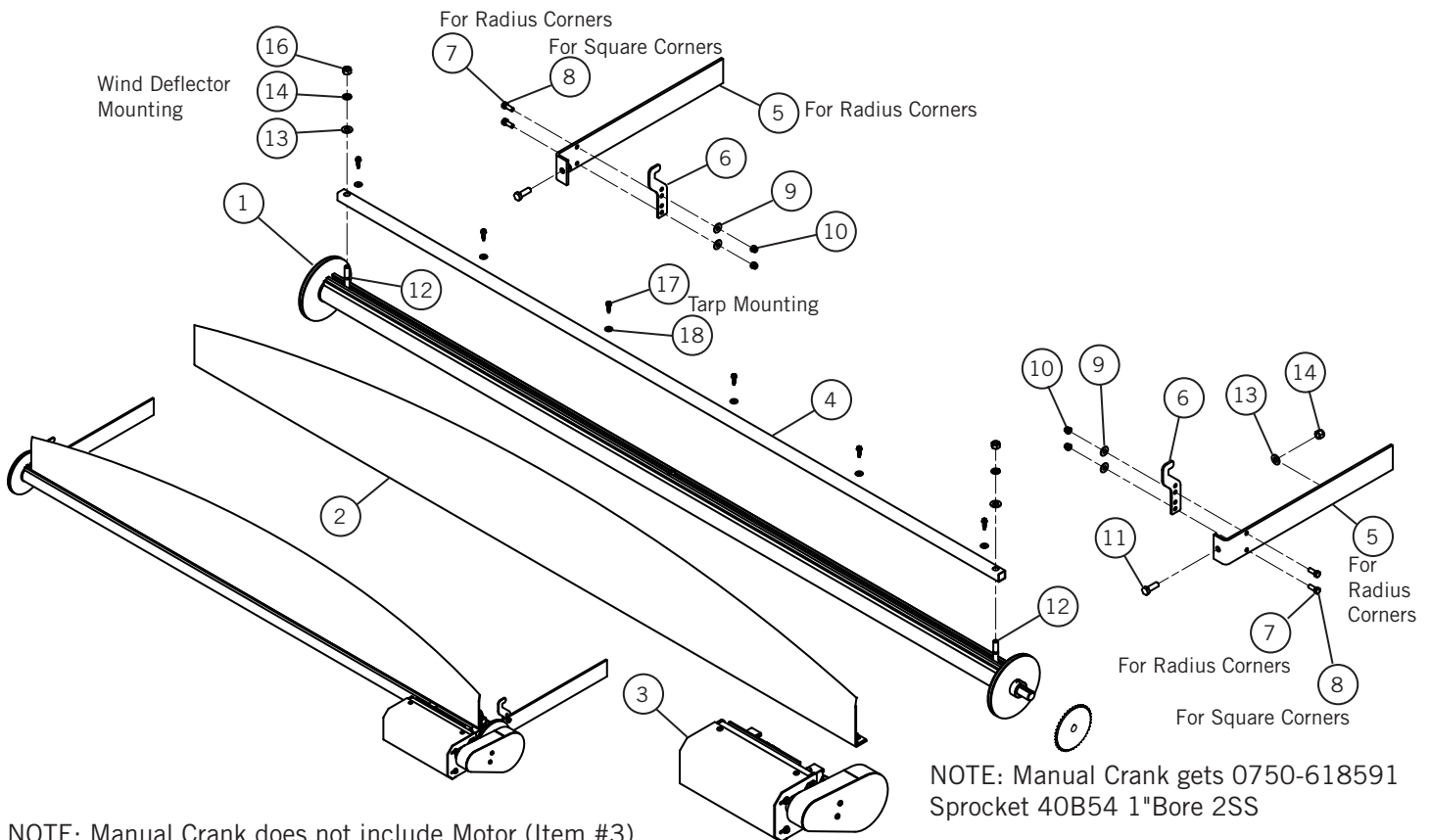
Length	Part No.	Description
16' - 19'	1111-603131	Cable Drive 1/4" Precut TGK 40'
20' - 25'	1111-603132	Cable Drive 1/4" Precut TGK 52'
26' - 30'	1111-603133	Cable Drive 1/4" Precut TGK 64'
32' - 34'	1111-603137	Cable Drive 1/4" Precut TGK 74'
36' - 40'	1111-603134	Cable Drive 1/4" Precut TGK 84'
42'	1111-603135	Cable Drive 1/4" Precut TGK 94'

Top Glide Kit

Parts List

Front Assembly Electric and Manual

	System Width	A. Front Assembly Full	1. Front Assy	2. Wind Deflector
Electric	99"	1111-963510	1111-960569	1111-962211
	105"	1111-963511	1111-960582	1111-962224
Manual	99"	1111-963500	1111-960569	1111-962211
	105"	1111-963501	1111-960582	1111-962224



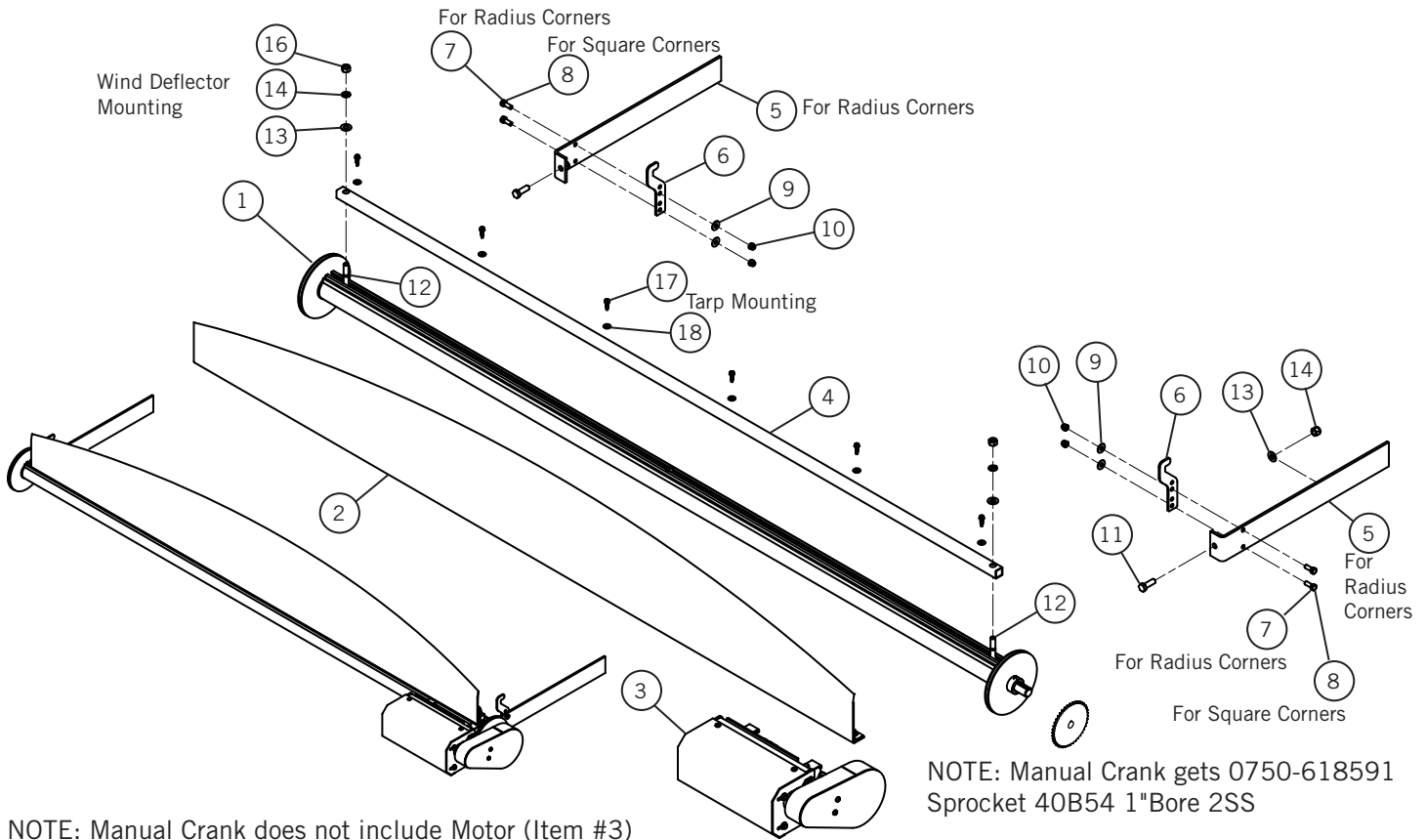
No.	Part No.	Description	QTY	No.	Part No.	Description	QTY
1	See Table	Front Assembly	1	10	0815-660660	NUT HEX. 3/8-16	4
2	See Table	Wind Deflector	1	11	1111-861426	BOLT HHCS 1/2-13x1-1/2 Cut Hd	2
3	1111-963374	Motor Assembly	1	12	0810-650814	BOLT HHCS 1/2-13x2-1/2	2
4	1111-860919	TUBE TARP BAR TGK	1	13	0820-680810	WASHER FLAT 1/2"	4
5	1111-860731	BRACE FRONT TGK STL	2	14	0820-680820	WASHER SLCK 1/2"	2
6	1111-860838	BOW STOP FRONT TGK	2	15	0815-660855	NUT HEX. 1/2-13 NYLON INSRT	2
7	0810-670650	BOLT HHCS 3/8"-16 x 1"	4	16	0815-660850	NUT HEX. 1/2-13 ZINC	2
8	0825-650620	BOLT HWH 3/8x1-1/2 TYPE F	4	17	0825-670360	SCREW #14 X 1 HEX TEK	6
9	0820-680620	WASHER FLAT 3/8"	4	18	0820-680410	WASHER FLAT 1/4" ZINC	6

Top Glide Kit

Parts List

Front Assembly Smart Electronics

	System Width	A. Front Assembly Full	1. Front Assy	2. Wind Deflector
Smart Electronics	99"	1111-963520	1111-960569	1111-962211
	105"	1111-963521	1111-960582	1111-962224



NOTE: Manual Crank does not include Motor (Item #3)

NOTE: Manual Crank gets 0750-618591 Sprocket 40B54 1" Bore 2SS

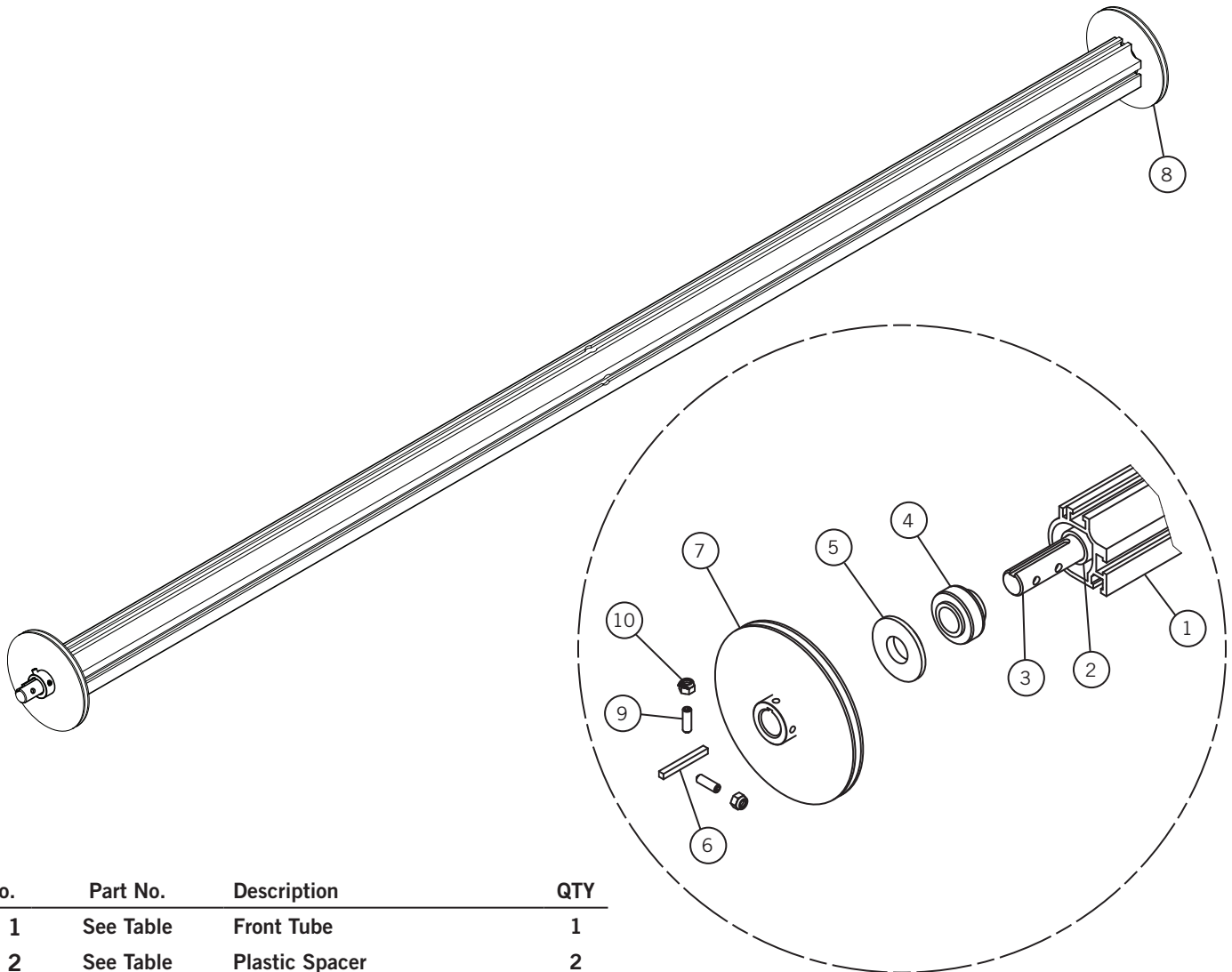
No.	Part No.	Description	QTY	No.	Part No.	Description	QTY
1	See Table	Front Assembly	1	10	0815-660660	NUT HEX. 3/8-16	4
2	See Table	Wind Deflector	1	11	1111-861426	BOLT HHCS 1/2-13x1-1/2 Cut Hd	2
3	1111-963375	Motor Assembly	1	12	0810-650814	BOLT HHCS 1/2-13x2-1/2	2
4	1111-860919	TUBE TARP BAR TGK	1	13	0820-680810	WASHER FLAT 1/2"	4
5	1111-860731	BRACE FRONT TGK STL	2	14	0820-680820	WASHER SLCK 1/2"	2
6	1111-860838	BOW STOP FRONT TGK	2	15	0815-660855	NUT HEX. 1/2-13 NYLON INSRT	2
7	0810-670650	BOLT HHCS 3/8"-16 x 1"	4	16	0815-660850	NUT HEX. 1/2-13 ZINC	2
8	0825-650620	BOLT HWH 3/8x1-1/2 TYPE F	4	17	0825-670360	SCREW #14 X 1 HEX TEK	6
9	0820-680620	WASHER FLAT 3/8"	4	18	0820-680410	WASHER FLAT 1/4" ZINC	6

Top Glide Kit

Parts List

Front Tube Assembly

System Width	A. Front Tube Assy	1. Front Tube	2. Plastic Spacer	3. Shaft
99"	1111-960569	1111-860538	1111-860835	1111-860539
105"	1111-960582	1111-860548	1111-860837	1111-860554



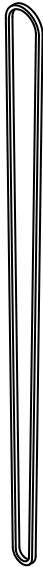
No.	Part No.	Description	QTY
1	See Table	Front Tube	1
2	See Table	Plastic Spacer	2
3	See Table	Shaft	1
4	0710-602180	Bearing 1" Bore	3
5	1111-860836	Nylon Thrust Washer	2
6	0840-618513	Keystick 6mm x 2-1/4"	1
7	1111-964011	Sheave 7", 1" Bore with Keyway	1
8	1111-964010	Sheave 7", 1" Bore	1
9	0825-670130	Set Screw 5/16-18 x 1"	4
10	0815-660550	Nylon Hex Nut 5/16-18	4

Top Glide Kit

Parts List

Crank Assembly

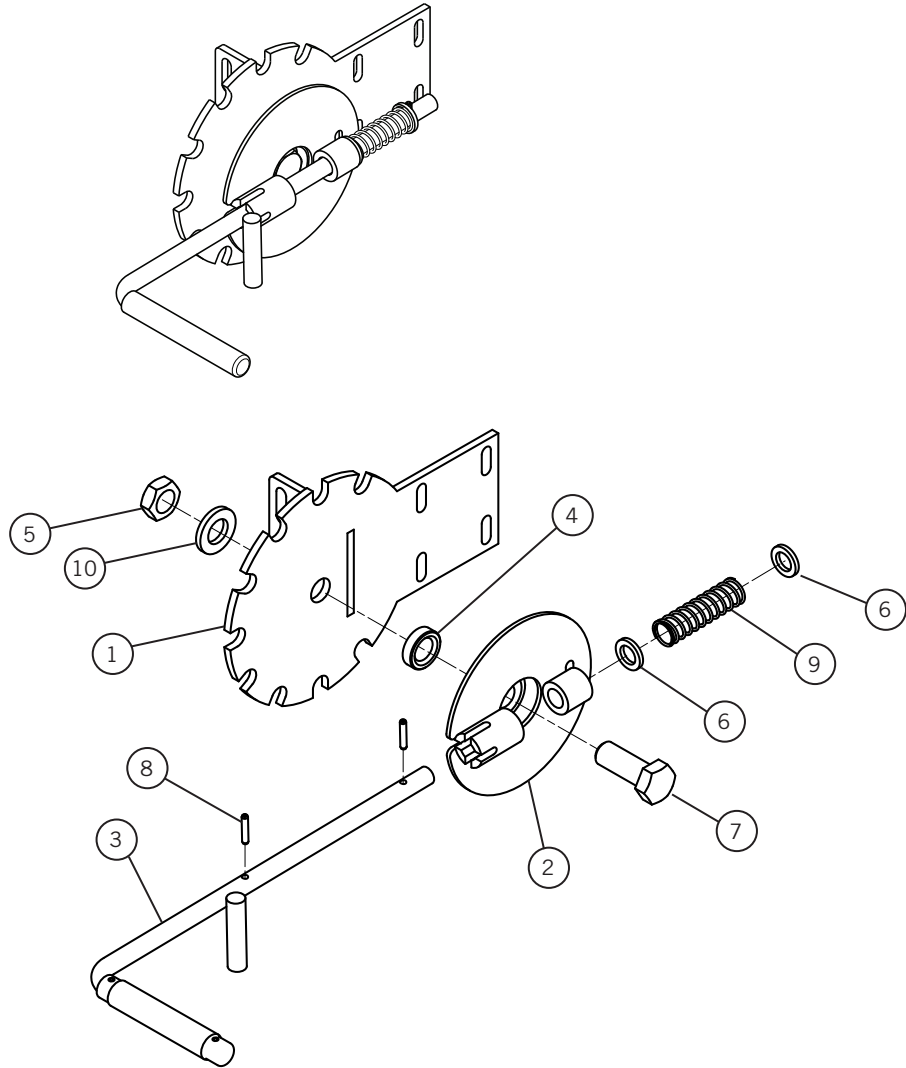
1111-962205



0720-603559
Chain Roller #40 168"



0720-603557
Chain Roller #40 NP 168"
Stainless Steel



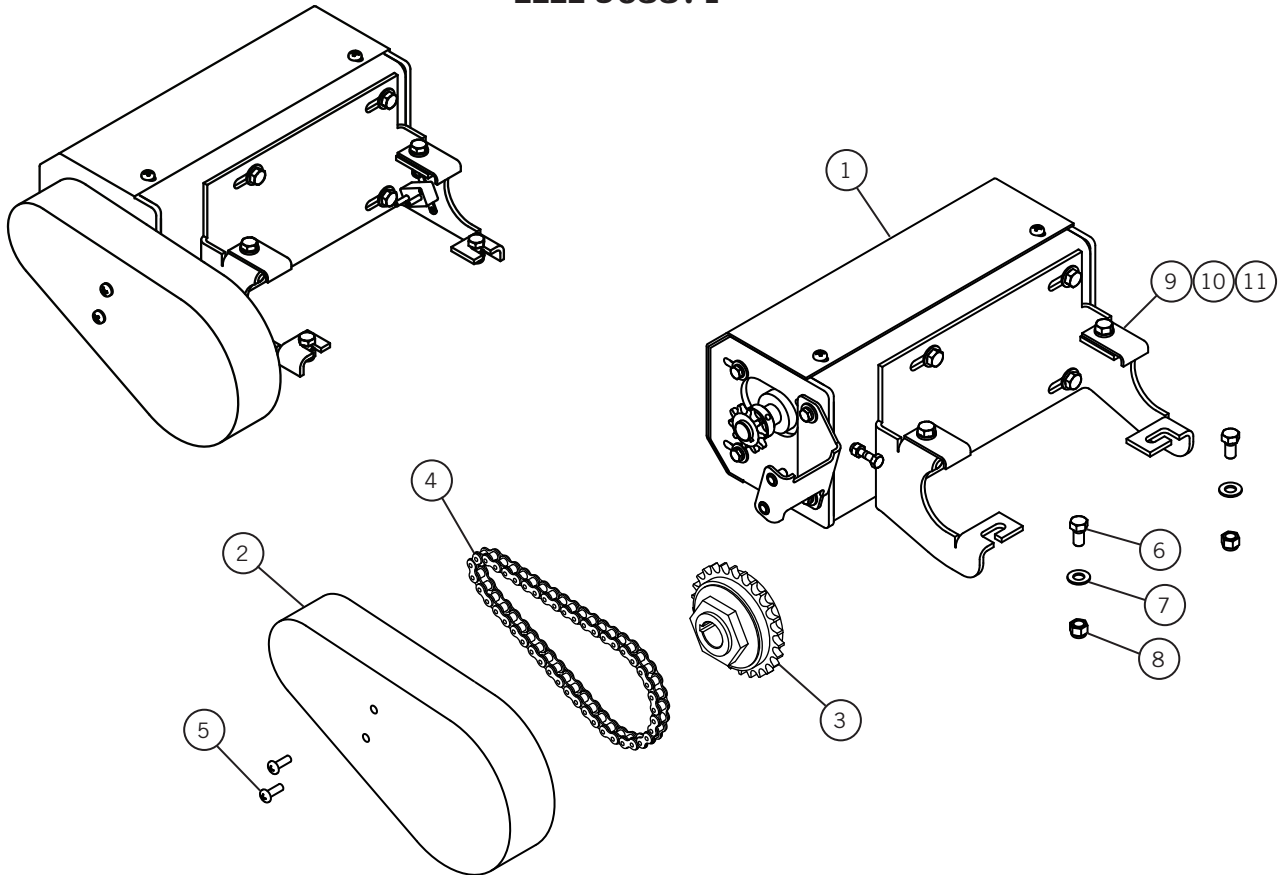
No.	Part No.	Description	QTY
1	1111-962109	Crank Base Multi-Position	1
2	1111-961335	Sprocket/Bearing Assembly	1
3	1111-960869	Crank Handle Assembly	1
4	1111-861792	Crank Spacer	1
5	0815-661256	3/14-10 Nyloc Jam Nut	1
6	0820-602970	5/8" Machine Bushing	2
7	0810-651224	3/4-10 x 2 Bolt	1
8	0835-691113	3/16" x 1" Spring Pin	2
9	0715-619603	3" Compression Spring	1
10	0820-681209	Washer Flat 3/4" SAE Zinc	1

Top Glide Kit

Parts List

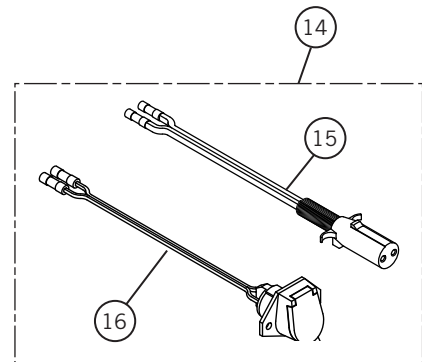
Motor Kit

1111-963374



No.	Part No.	Description	QTY
1	1111-960517	Motor Assembly, Parallel Shaft	1
2	1111-960750	COVER ASSY. WELDED ALUM	1
3	0750-619612	Torque Limiter 1" ID M350	1
4	0720-603554	Chain Roller #40 32"	1
5	0825-670459	Screw #14x1/2 HWH Type F	2
6	0810-670682	3/8-16 x .75 - Bolt	2
7	0820-680620	Washer Flat 3/8"	2
8	0815-660660	3/8-16 Nylock Hex Nut	2
9	1111-860532	Clamp Plate Motor Mount	2
10	0810-670682	3/8-16 x .75 - Bolt	2
11	0820-680610	3/8 Lock Washer	2
12	0755-626588	Wire 14ga - Gray	20'
13	0755-962104	RDCC Kit 25 amp with Rocker	1

Parts Not Shown: 12, 13



No.	Part No.	Description	QTY
14	0755-626460	Quick Disconnect Plug Assembly	
15	0755-626454	PLUG, Q/D ASSY; MALE	1
16	0755-626455	PLUG; Q/D ASSY; FEMALE	1

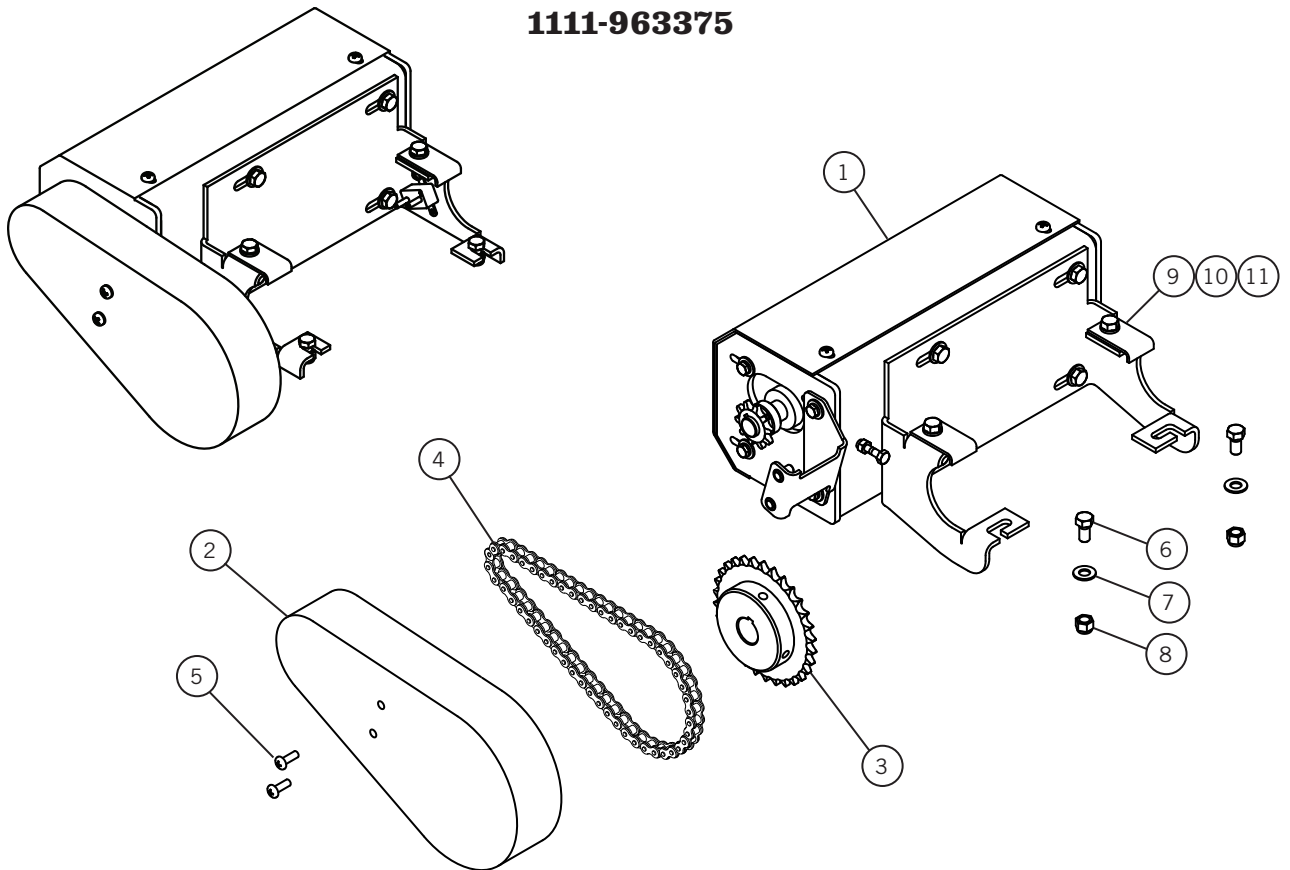
Top Glide Kit

Parts List

Motor Kit

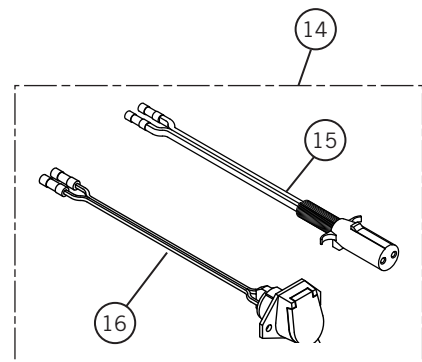
Smart Electronics

1111-963375



No.	Part No.	Description	QTY
1	1111-960517	Motor Assembly, Parallel Shaft	1
2	1111-960750	COVER ASSY. WELDED ALUM	1
3	0750-619594	Sprocket 40B30 1" Bore	1
4	0720-603561	Chain Roller #40 24.75"	1
5	0825-670459	Screw #14x1/2 HWH Type F	2
6	0810-670682	3/8-16 x .75 - Bolt	2
7	0820-680620	Washer Flat 3/8"	2
8	0815-660660	3/8-16 Nylock Hex Nut	2
9	1111-860532	Clamp Plate Motor Mount	2
10	0810-670682	3/8-16 x .75 - Bolt	2
11	0820-680610	3/8 Lock Washer	2
12	0755-626588	Wire 14ga - Gray	20'
13	0755-962104	RDCC Kit 25 amp with Rocker	1

Parts Not Shown: 12, 13



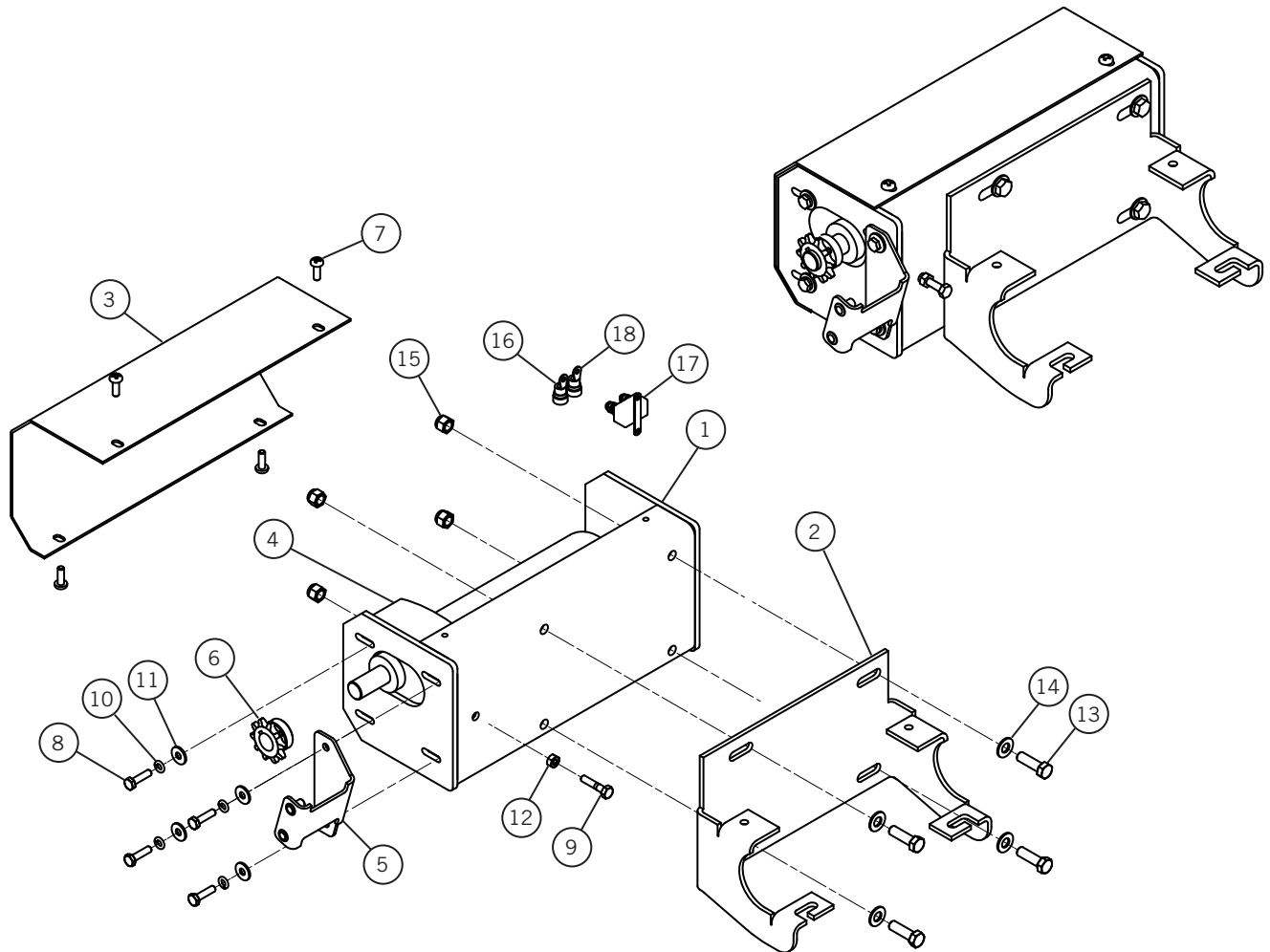
No.	Part No.	Description	QTY
14	0755-626460	Quick Disconnect Plug Assembly	
15	0755-626454	PLUG, Q/D ASSY; MALE	1
16	0755-626455	PLUG; Q/D ASSY; FEMALE	1

Top Glide Kit

Parts List

Motor Housing Assembly

1111-960517



No.	Part No.	Description	QTY	No.	Part No.	Description	QTY
1	1111-960640	Motor Housing with Clench Nut	1	10	0820-680725	1/4 Split Lock Washer	4
2	1111-860533	Plate Mounting, Electric	1	11	0820-680410	1/4 Flat Washer	4
3	1111-860577	Cover Plate, Electric	1	12	0815-660452	1/4-20 Hex Finish Nut	1
4	0755-960272	Motor Assembly, Parallel Shaft	1	13	0810-670654	3/8-16 x 1 1/4 - Bolt	4
5	1111-960539	Chain Cover Bracket	1	14	0820-680620	3/8 Flat Washer	4
6	0750-619581	Sprocket, 40B10 3/4 Bore	1	15	0815-660660	3/8-16 Nylock Hex Nut	4
7	0825-670551	1/4 x 3/4 Type F-Bolt	4	16	0755-626521	Wire End #10 x #10 Ring	1
8	0810-650454	1/4-28 x 1" Bolt	4	17	0755-623510	Circuit Breaker 25 amp	1
9	0810-650471	1/4-20 x 1.25 - Bolt	1	18	0755-626522	Wire #10 x 14" White	1

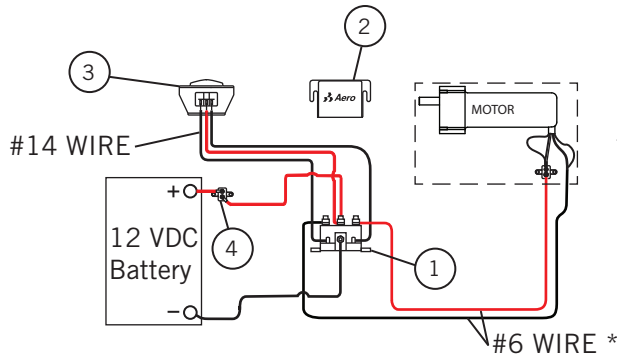
Top Glide Kit

Parts List

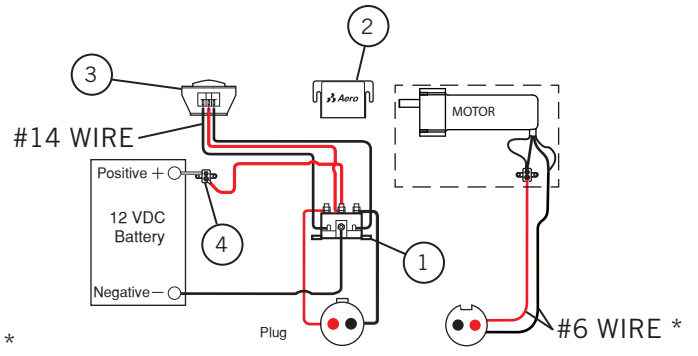
Standard Electrical Controls with Rocker Switch

0755-962104

NOTICE: USING BREAKER GREATER THAN 25 AMP MAY RESULT IN MOTOR FAILURE.



Truck



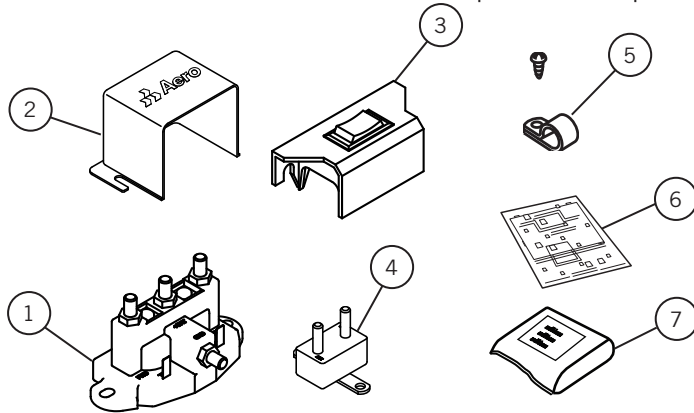
Tractor

Trailer

* #6 Duplex Wire is optional and not supplied in this kit.

0755-962104

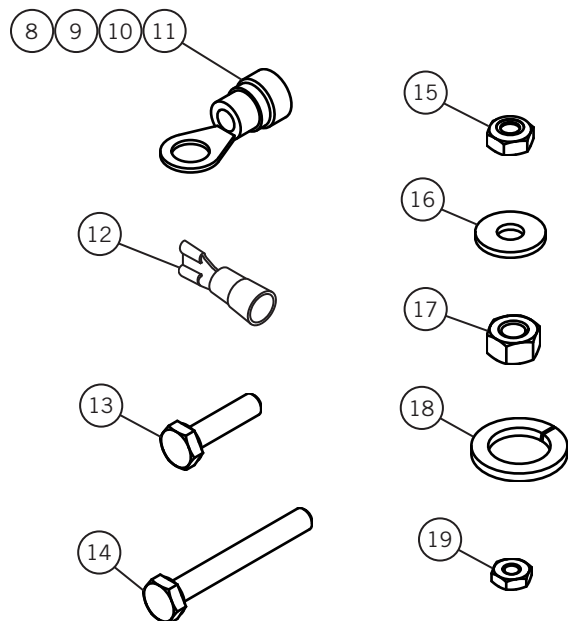
RDCC ELEC KIT



No.	Part Number	Description	QTY
1	0755-623560	REVERSING DC CONTACT 12V	1
2	0755-623559	CONTACTOR COVER	1
3	0755-962102	SWITCH - ROCKER	1
4	0755-623510	CIRCUIT BREAKER 25A	2
5	0850-603757	CLAMP -LOOM 5/8" I.D.	12
6	0930-861628	WIRING DIAGRAM	1
7	0755-962111	HARDWARE KIT	1
8	0755-626500	WIRE END #6 BUTT CONNCT	4
9	0755-626507	WIRE END #6 X #10 RING	8
10	0755-626503	WIRE END #6 X 3/8 RING	2

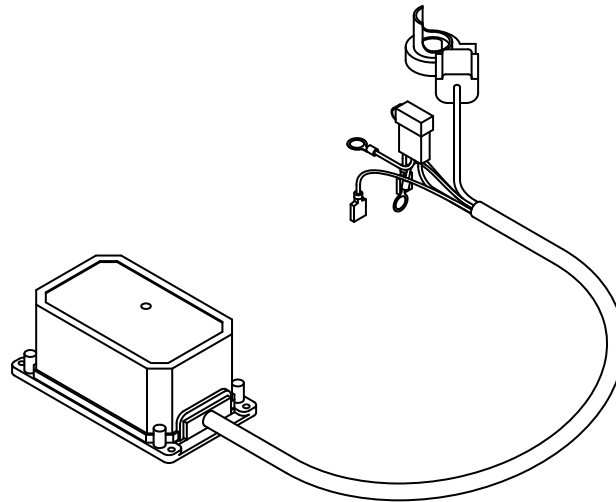
0755-962111 RDCC HARDWARE KIT

No.	Part Number	Description	QTY
11	0755-626503	WIRE END #6 X 3/8 RING	6
12	0755-626507	WIRE END #6 X #10 RING	4
13	0755-626504	WIRE END #6 X 1/4 RING	2
14	0755-626553	WIRE END #14 X 3/8 RING	1
15	0755-626554	WIRE END #14 X 1/4 PUSH	6
16	0810-650500	BOLT 1/4-20 x 1	2
17	0810-650473	BOLT 1/4-20 x 2	2
18	0815-660456	LOCKNUT 1/4-20 JAM	4
19	0820-680410	WASHER FLAT 1/4"	6
20	0815-660307	NUT HEX 5/16-24	4
21	0820-680520	WASHER LOCK 5/16"	4
22	0815-660121	LOCKNUT #10-32	4



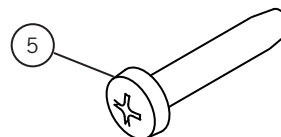
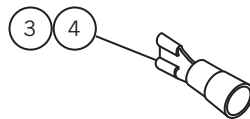
Smart Electrical Controls with Rocker Switch

0755-960000



No.	Part No.	Description	QTY
	0755-960000	Smart Circuit Breaker	
1	0755-623520	Kit,Cir Brk,Cur Sen,TF4	1
2	0755-962150	SMT CIR BRK HARDWARE PACK	1

No.	Part No.	Description	QTY
	0755-962150	SMT CIR BRK HARDWARE PACK	
3	0755-962151	INSULATED .25" MALE SPADE	1
4	0755-962152	INSULATED .25" FEMALE	2
5	0825-670364	SCREW #10X1" PAN HEAD	4

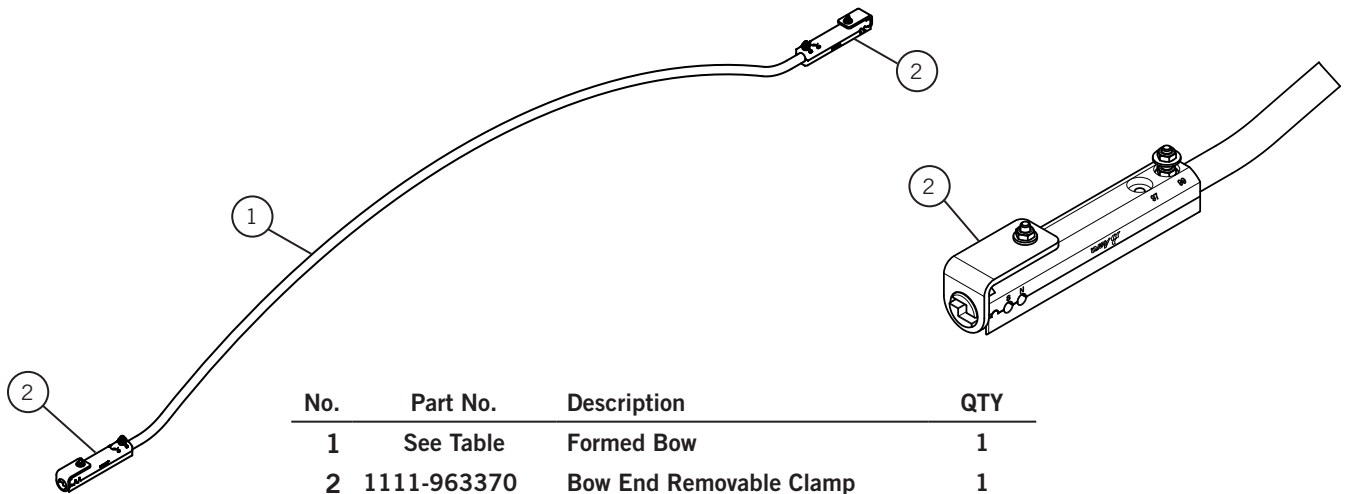


Top Glide Kit

Parts List

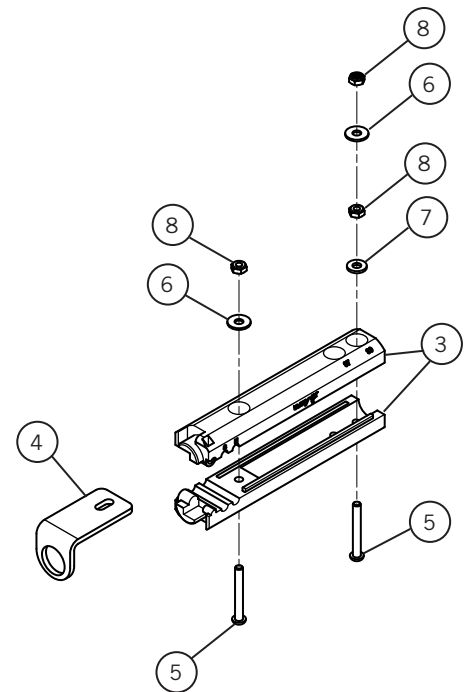
Bow Assembly

System Width	Rise	Bow Assembly	1) Formed Bow
99"	Flat	1118-963326	1118-860222
105"	Flat	1118-963327	1118-860224
99"	6"	1118-963306	1118-860202
105"	6"	1118-963307	1118-860204
99"	12"	1118-963316	1118-860212
105"	12"	1118-963317	1118-860214



No.	Part No.	Description	QTY
1	See Table	Formed Bow	1
2	1111-963370	Bow End Removable Clamp	1

No.	Part No.	Description	Qty
2	1111-963370	BOW END REMOVABLE CLAMP	
3	1118-896010	BOW END HALF - MOLDED	4
4	1111-861751	BRACKET CLAMP BOW END	2
5	0825-670605	SCREW 1/4-20 X 2 BHCS SS	4
6	0820-680432	WASHER FLAT 1/4 .625OD SS	4
7	0820-680410	1/4 - Flat Washer Zinc	2
8	0815-660456	1/4-20 Nylon Jam Nut Zinc	6



1111-619524
Plastic Glide Strip 40'
1830-999924
Torx Flathead 1/4-20 x 1
Type F

Top Glide Kit

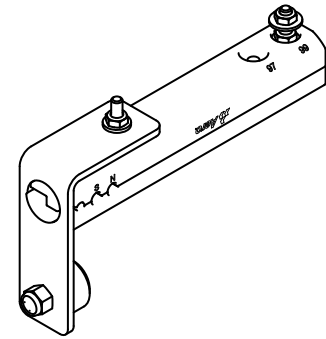
Parts List

Bow Assembly Anti-Shift

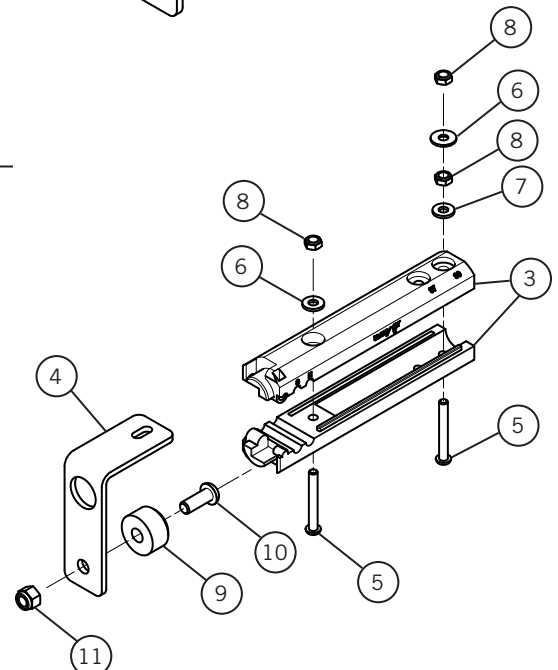
System Width	Rise	Bow Assembly	1) Formed Bow
99"	Flat	1118-963356	1118-860222
105"	Flat	1118-963357	1118-860224
99"	6"	1118-963336	1118-860202
105"	6"	1118-963337	1118-860204
99"	12"	1118-963346	1118-860212
105"	12"	1118-963347	1118-860214



No.	Part No.	Description	QTY
1	See Table	Formed Bow	1
2	1111-963370	Bow End Removable Clamp	1

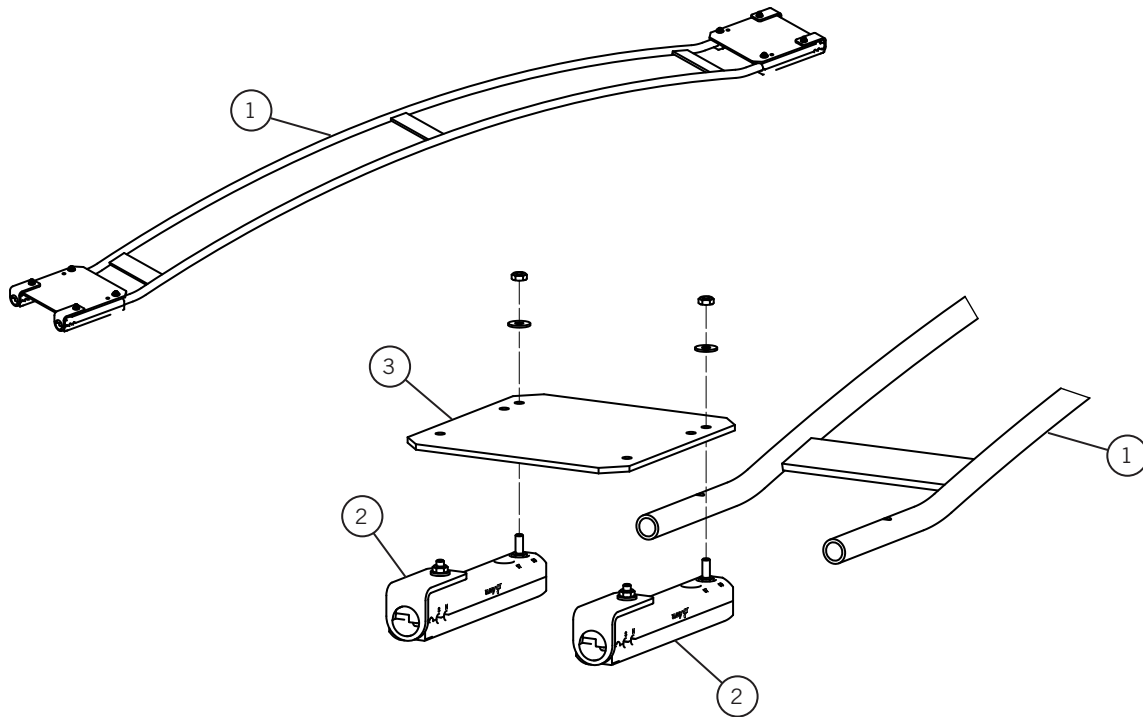


No.	Part No.	Description	Qty
2	1111-963376	BOW END REMOVABLE CLAMP	
3	1118-896010	BOW END HALF - MOLDED	4
4	1111-861753	BRACKET ANTI-LIFT BOW END	2
5	0825-670605	SCREW 1/4-20 X 2 BHCS SS	4
6	0820-680432	WASHER FLAT 1/4 .6250D SS	4
7	0820-680410	1/4 - Flat Washer Zinc	2
8	0815-660456	1/4-20 Nylon Jam Nut Zinc	6
9	1111-861038	ANTI-SHIFT BUMPER	2
10	0810-650829	3/8-16x1 BUTTON HEAD SKT CAP	2
11	0815-660660	NUT HEX 3/8-16 NYLOCK	2



Power Bow Assembly

System Width	Rise	A. Power Bow Assembly	1, Formed Bow
99"	Flat	1118-963323	1118-963322
105"	Flat	1118-963325	1118-963324
99"	6"	1118-963303	1118-963302
105"	6"	1118-963305	1118-963304
99"	12"	1118-963313	1118-963312
105"	12"	1118-963315	1118-963314



No.	Part No.	Description	QTY
1	See Table	Formed Bow	2
2	1111-963370	Bow End Removable Clamp	2
3	1111-861860	Power Bow Stiffener Plate	2

Top Glide Kit

Parts List

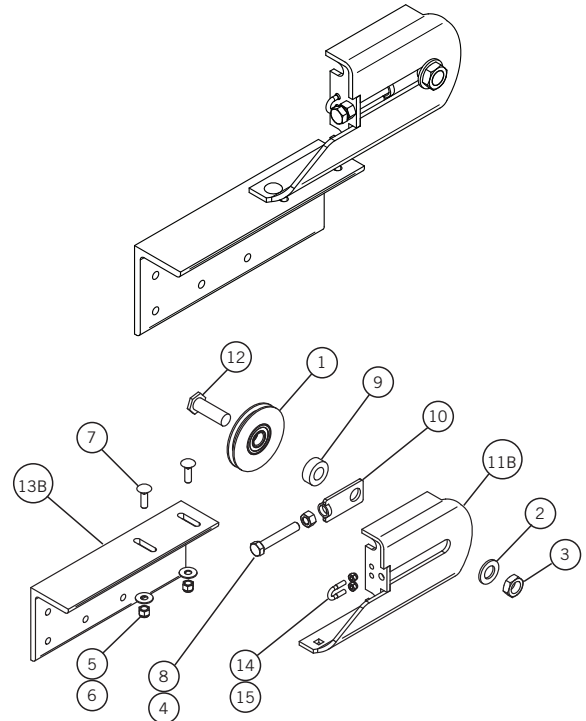
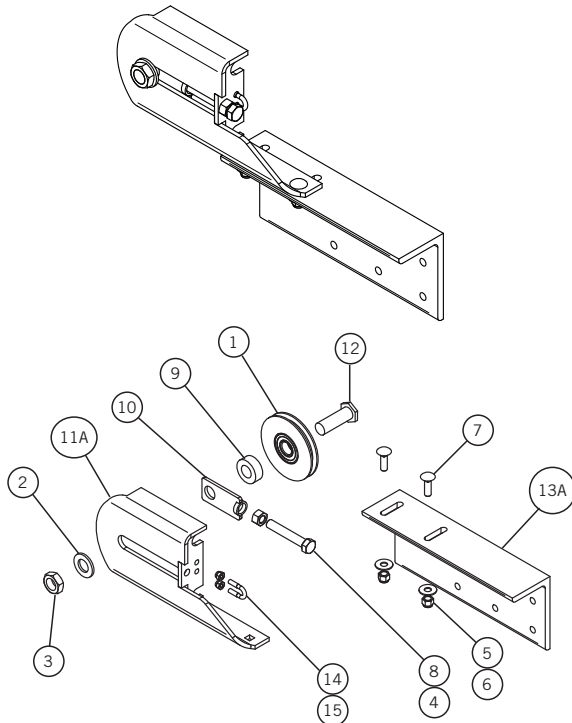
Rear Idler Assemblies

(4" - Aluminum Bracket)

(Passenger's Side)
1111-961426

1111-963043

(Driver's Side)
1111-961425



MOUNTING HARDWARE FOR REAR IDLERS

NOT SHOWN

1111-960498 HRDWR PACK - IDLER MOUNT

Part No.	Description	Qty
0810-650729	BOLT TAP. 3/8-16x7	8
0815-660660	NUT HEX. 3/8-16	8
0820-680620	WASHER FLAT 3/8"	16
0825-650620	BOLT HWH 3/8x1-1/2 TYPE F	8

No.	Part No.	Description	QTY (each side)
1	1111-960854	Sheave Bearing Assembly 4"	1
2	0820-681209	3/4 Washer Flat	1
3	0815-661256	3/4-10 Jam Nut	1
4	0815-660850	1/2-13 Hex Nut	1
5	0815-660660	3/8-16 Nylock Hex Nut	2
6	0820-680620	3/8 Flat Washer	2
7	0810-650565	3/8-16 x 1 1/4 Carrige Bolt	2
8	0810-650733	1/2-13 x 3 HX Tap Bolt	1
9	1111-861407	Spacer Pulley	1
10	1111-961402	Slider Assembly Rear Idler	1
11A	1111-961416	Idler Car Assembly P.S. Push	1
11B	1111-961415	Idler Car Assembly D.S. Push	1
12	1111-861425	Bolt Crank Pulley Push	1
13A	1111-861444	Idler Bracelet - PS	1
13B	1111-861443	Idler Bracelet - DS	1
14	0850-603750	Cable Clamp	1
15	0815-660451	1/4-20 Nylon Lock Nut	2

Top Glide Kit

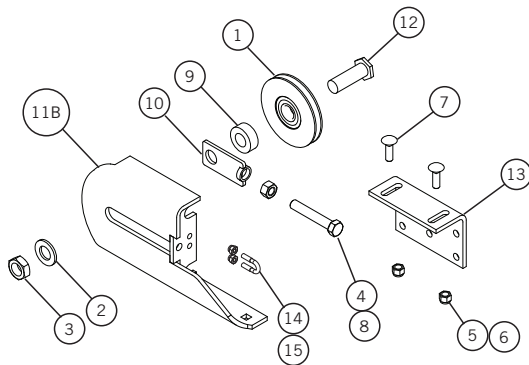
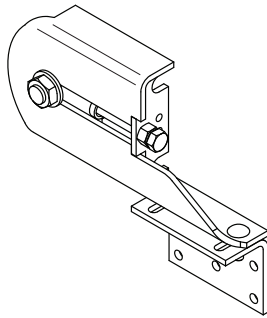
Parts List

Rear Idler Assemblies (4" - Steel Bracket)

1111-963042

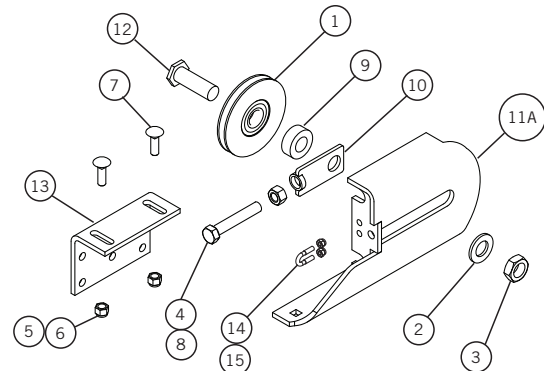
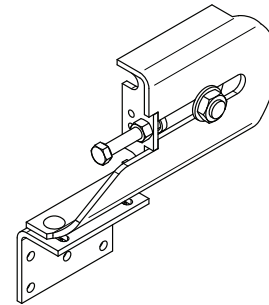
(Passenger's Side)

1111-961418



(Driver's Side)

1111-961417



MOUNTING HARDWARE FOR REAR IDLERS

NOT SHOWN

Part No.	Description	Qty
1111-960498	HRDWR PACK - IDLER MOUNT	
0810-650729	BOLT TAP. 3/8-16x7	8
0815-660660	NUT HEX. 3/8-16	8
0820-680620	WASHER FLAT 3/8"	16
0825-650620	BOLT HWH 3/8x1-1/2 TYPE F	8

No.	Part No.	Description	QTY (each side)
1	1111-960854	Sheave Bearing Assembly 4"	1
2	0820-681209	3/4 Washer Flat	1
3	0815-661256	3/4-10 Jam Nut	1
4	0815-660850	1/2-13 Hex Nut	1
5	0815-660660	3/8-16 Nylock Hex Nut	2
6	0820-680620	3/8 Flat Washer	2
7	0810-650565	3/8-16 x 1-1/4 Carrige Bolt	2
8	0810-650733	1/2-13 x 3 HX Tap Bolt	1
9	1111-861407	Spacer Pulley	1
10	1111-961402	Slider Assembly Rear Idler	1
11A	1111-961416	Idler Car Assembly P.S. Push	1
11B	1111-961415	Idler Car Assembly D.S. Push	1
12	1111-861425	Bolt Crank Pulley Push	1
13	1111-861420	Idler Bracelet	1
14	0850-603750	Cable Clamp	1
15	0815-660451	1/4-20 Nylon Lock Nut	2

Top Glide Kit



Call 1-800-535-9545
www.aeroindustries.com

INDIANAPOLIS, IN
Indianapolis, IN 46241
800-535-9545
FAX: 317-244-1311

OMAHA, NE
Omaha, NE 68137
800-535-9545
FAX: 402-895-6129

KENT, OH
Kent, OH 44240
888-237-2262
FAX: 330-626-3277

© 2017 Aero Industries, Inc.

US: 4854630, 6139085, 6481779, 6582007, other patents pending

Canada: 2455928, 2574047